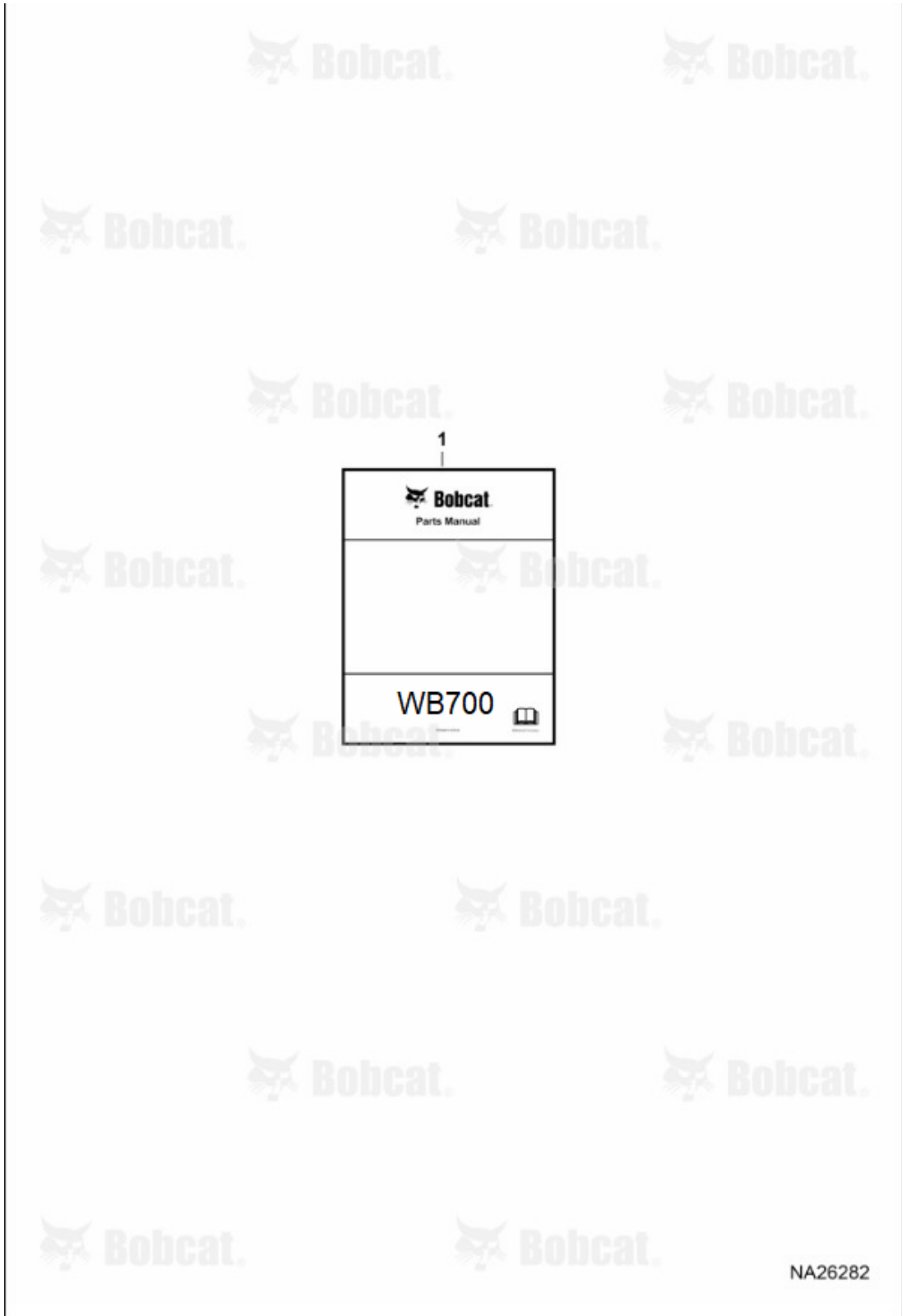


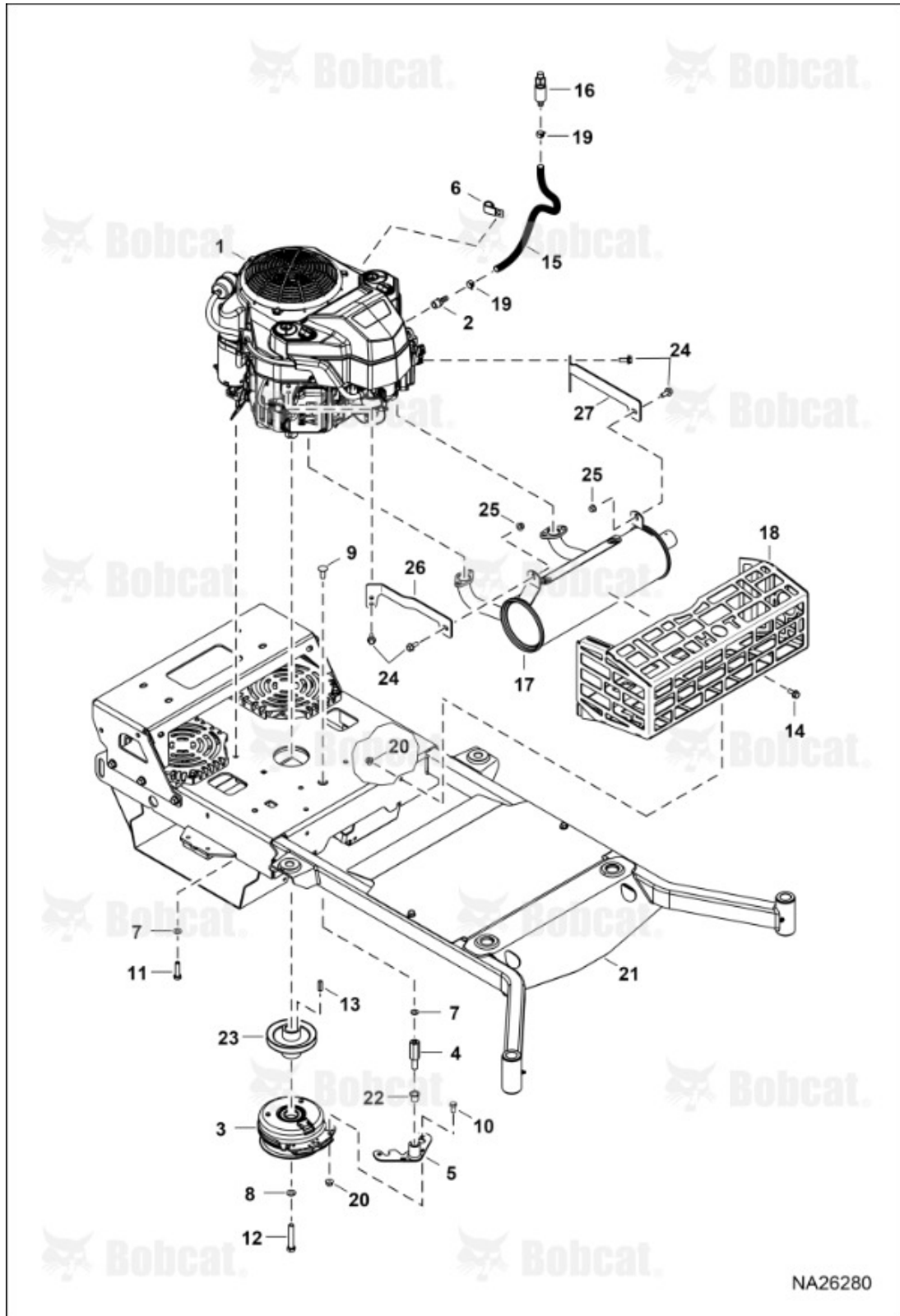
Title: Maintenance Items (Literature)
Model Number: WB700
Serial Number: 9990702EU11001 & Above, B67D11001 & Above



Title: Maintenance Items (Literature)
Model Number: WB700
Serial Number: 9990702EU11001 & Above, B67D11001 & Above

Ref #	Part #	Description	S/N	Qty
1	7537097	PM WB700 MWR		1

Title: Engine Deck Assembly
Model Number: WB700
Serial Number: 9990702EU11001 & Above, B67D11001 & Above



Title: Engine Deck Assembly

Model Number: WB700

Serial Number: 9990702EU11001 & Above, B67D11001 & Above

Ref #	Part #	Description	S/N	Qty
1		FS541 ENGINE KAW .603L 11.2KW SI US N2 FS RS, FS541 ENGINE KAW .603L 11.2KW SI US N2 FS RS, NSS		1
1		FS481 ENGINE KAW .603L 10.8KW US N2 FS RS, FS481 ENGINE KAW .603L 10.8KW US N2 FS RS, NSS		1
1		FS600 ENGINE KAW .603L 13.8KW SI US N2 FS RS, FS600 ENGINE KAW .603L 13.8KW SI US N2 FS RS, NSS		1
2	4164252-001	FITTING BARBED STRAIGHT		1
3	7501225	CLUTCH ELECTRIC		1
4	4169106	PIN CLUTCH		1
5	4173452.46	CLUTCH STOP WELDMENT		1
6	48412-01	CLIP CABLE		1
7	4E6	WASHER, Was PN 64006-03, A		5
8	64006-06	WASHER LOCK		1
9	10C616	BOLT SHRT SQ NK RHD 3/8-16X1 GRD 5, Was PN 64018-44, A		1
10	1C512	SCREW HEX CAP, Was PN 64123-54, A		2
11	1C624	SCREW HEX CAP, Was PN 64123-70, A		4
12	2C740	SCREW HEX CAP, Was PN 64123-78, A		1
13	64164-12	KEY SQUARE		1
14	35C512	SCREW FLANGED HEAD CAP, Was PN 64262-006, A		2
15	7529391	HOSE FUEL		1
16	4164251	VALVE DRAIN		1
17	7498351	MUFFLER ASSEMBLY		1
18	7512859.46	GUARD MUFFLER		1
19	7508593	CLAMP HOSE		2
20	11D5	NUT LOCK HEX NYLON, Was 64268-02, A		4
21	7443715.45	FRAME W/A		1

Title: Engine Deck Assembly

Model Number: WB700

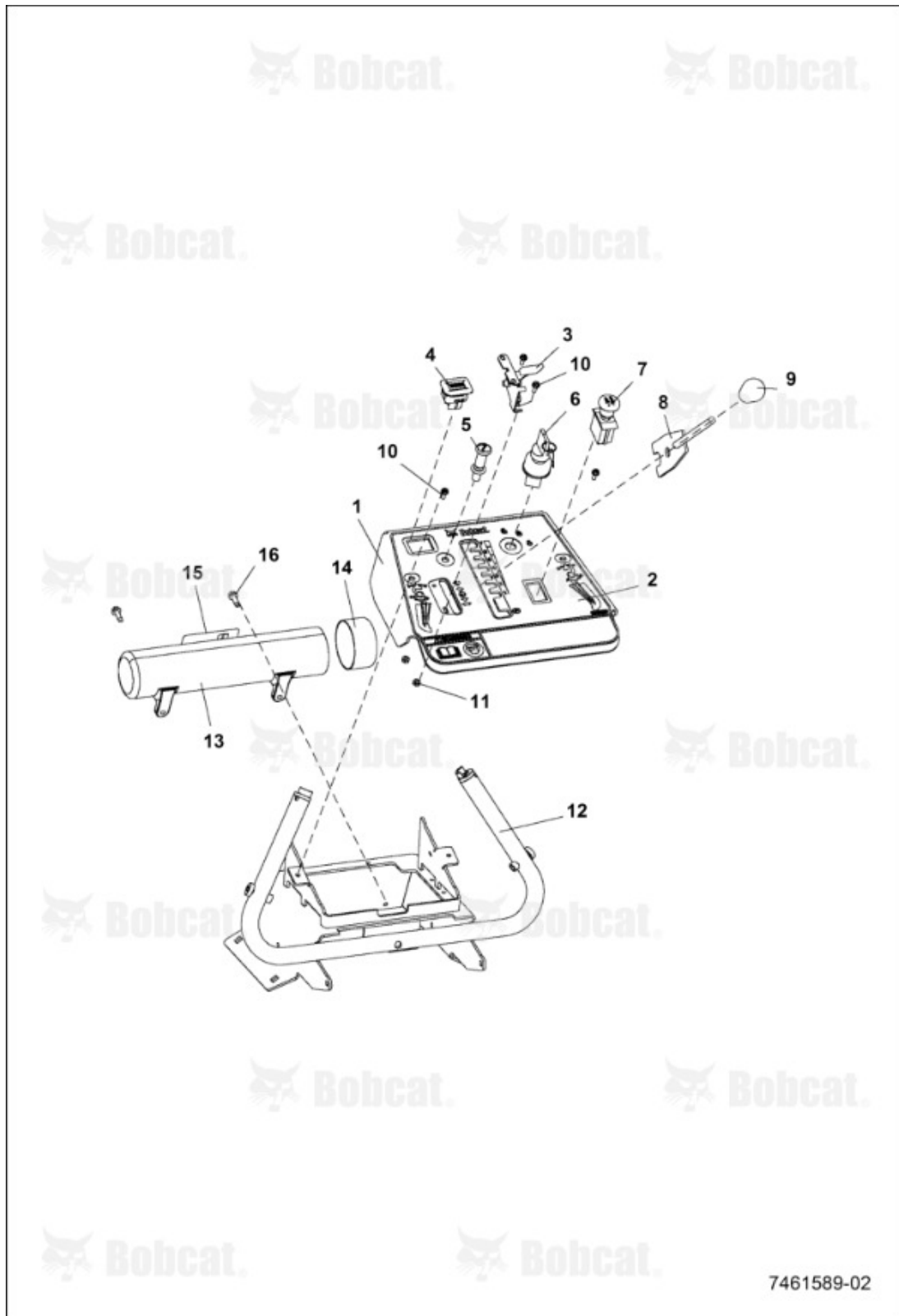
Serial Number: 9990702EU11001 & Above, B67D11001 & Above

Ref #	Part #	Description	S/N	Qty
22	38304-03	BEARING PLASTIC		1
23	7446814	PULLEY DRIVE		1
24	29CM820	SCREW HEX FLANGE, Was PN 64263-007, A		6
25	64266-02	NUT LOCK		2
26	7515090.46	BRACKET EXHAUST		1
27	7515334.46	BRACKET EXHAUST		1

Title: Control Panel

Model Number: WB700

Serial Number: 9990702EU11001 & Above, B67D11001 & Above



7461589-02

Title: Control Panel

Model Number: WB700

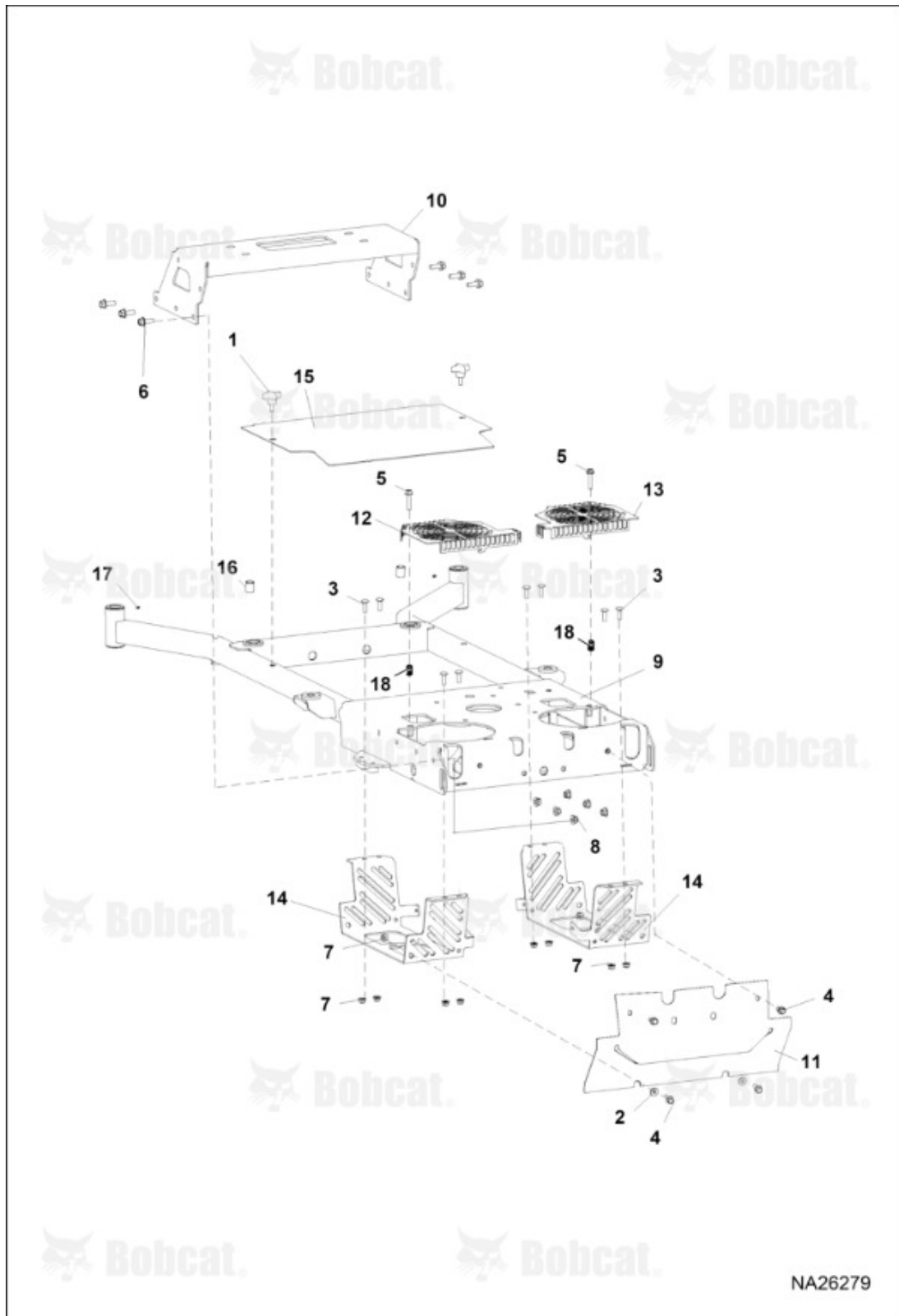
Serial Number: 9990702EU11001 & Above, B67D11001 & Above

Ref #	Part #	Description	S/N	Qty
1	7454003	PANEL CONTROL		1
2	7448860	DECAL PANEL DISPLAY		1
3	38357-04	CONTROL THROTTLE		1
4	4177930	HOURMETER		1
5	108009-03	CABLE CHOKE		1
6	128010	SWITCH IGNITION, kit - includes switch, nut & key		1
6	128010-01	NUT HEX		x
6	128010-03	KEY IGNITION		x
7	2721505	SWITCH PTO		1
8	7448867	HANDLE BRAKE		1
9	4168180	KNOB PUSH ON		1
10	64152-46	SCREW HEX HEAD		4
11	64025-15	NUT HEX		2
12	46894229.45	HANDLE WELDMENT HYDRO, Was 7448856.45, A		1
13	4160281	HOLDER MANUAL, W/ ref. 14 & 15		1
14	38061A	CAP VINYL		1
15	2000735	DECAL OPER MAN		1
16	64197-002	BOLT HEX		2

Title: Frame ASSY 48/52

Model Number: WB700

Serial Number: 9990702EU11001 & Above, B67D11001 & Above



Title: Frame ASSY 48/52

Model Number: WB700

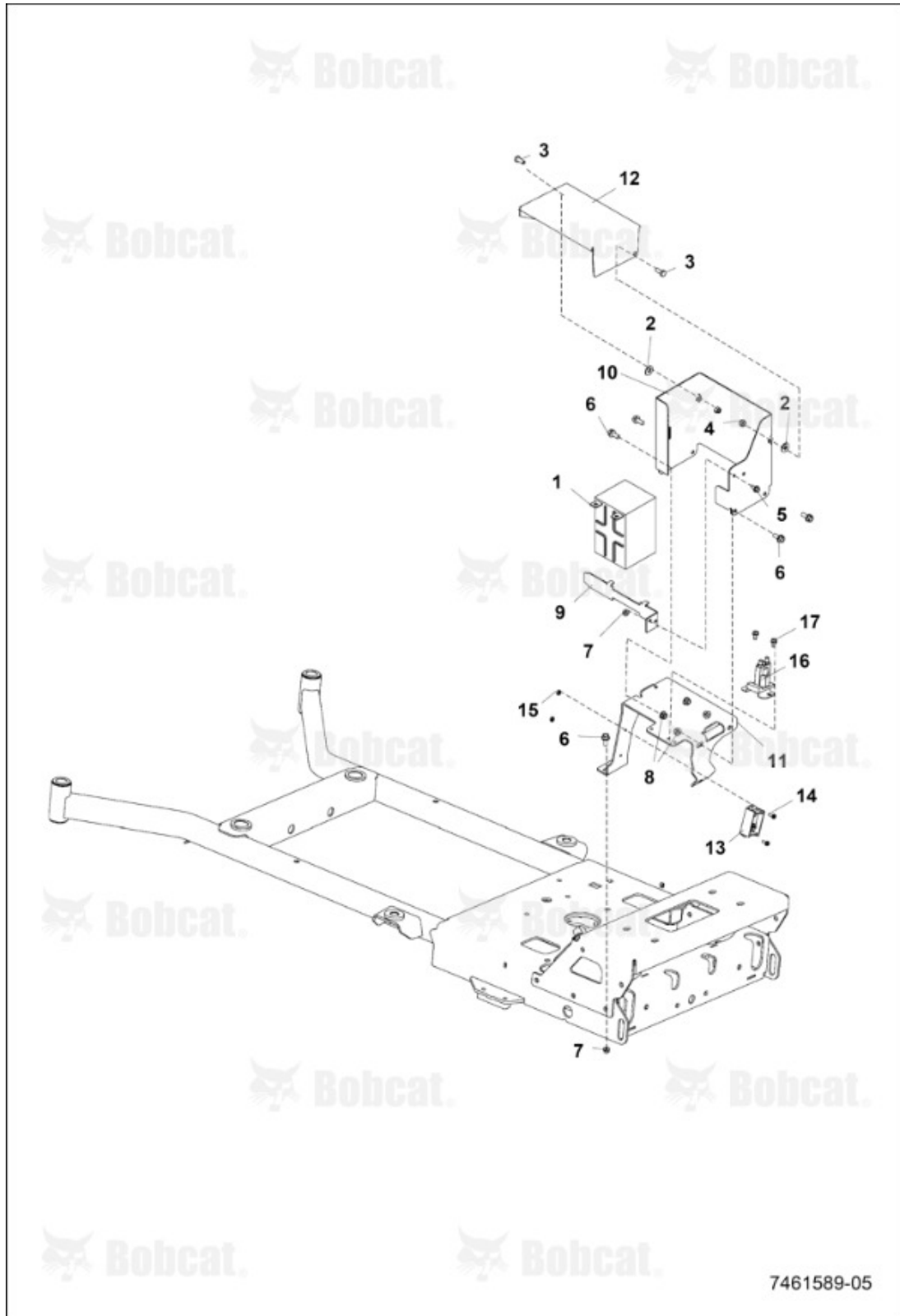
Serial Number: 9990702EU11001 & Above, B67D11001 & Above

Ref #	Part #	Description	S/N	Qty
1	2722458	KNOB 4 PRONG		2
2	4170388	SPACER LATCH		2
3	37C516	BOLT SQ NECK RND HD, Was PN 64018-63, A		8
4	35C512	SCREW FLANGED HEAD CAP, Was PN 64262-006, A		4
5	64262-009	BOLT FLANGE		2
6	35C616	SCREW FLANGED HEAD CAP, Was PN 64262-011, A		6
7	11D5	NUT LOCK HEX NYLON, Was 64268-02, A		10
8	11D6	NUT LOCK HEX NYLON, Was PN 64268-03, A		6
9	7443715.45	FRAME W/A		1
10	7448638.45	FRAME TANK		1
11	7448639.41	PLATE SUPPORT		1
12	7448640.45	COVER FAN		1
13	7448641.45	COVER FAN		1
14	7448643.46	PLATE SKID		2
15	7448644.45	COVER FRONT		1
16	7448669	BUSHING		2
17	85010N	ZERK FITTING		2
18	7448671	NUT RIVET		7

Title: Battery Assembly

Model Number: WB700

Serial Number: 9990702EU11001 & Above, B67D11001 & Above



Title: Battery Assembly

Model Number: WB700

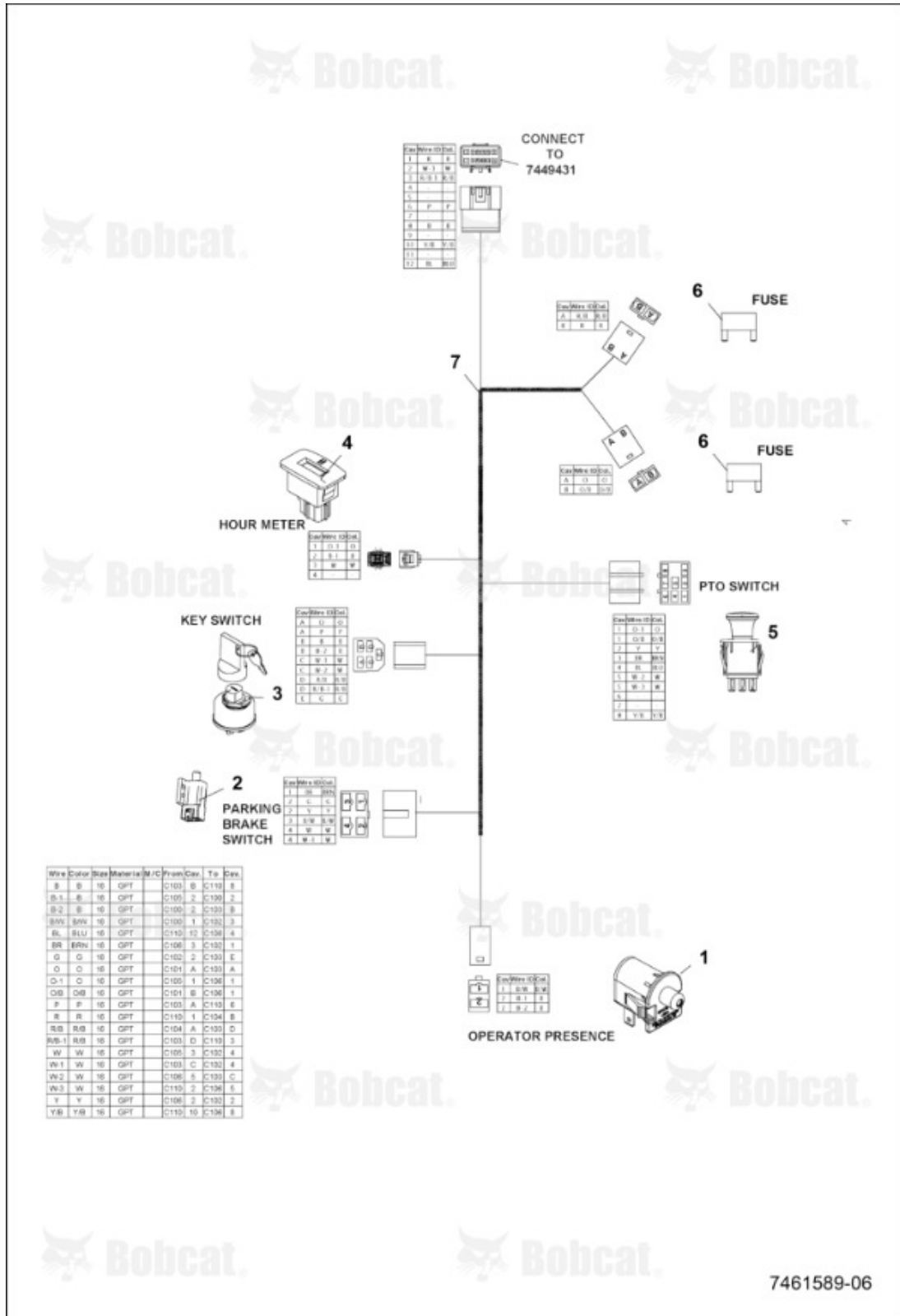
Serial Number: 9990702EU11001 & Above, B67D11001 & Above

Ref #	Part #	Description	S/N	Qty
1	46979478	BATTERY 190CCA WITH DECAL, Was 4171099, A		1
2	4171826	WASHER FLAT		2
3	1C512	SCREW HEX CAP, Was PN 64123-54, A		2
4	59D5	NUT LOCK HEX NYLON, Was PN 64229-02, A		2
5	35C408	BOLT, Was PN 64262-001, A		1
6	35C512	SCREW FLANGED HEAD CAP, Was PN 64262-006, A		5
7	11D4	NUT LOCK HEX NYLON, Was PN 64268-01, A		1
8	11D5	NUT LOCK HEX NYLON, Was 64268-02, A		5
9	7454707.46	STRAP BATTERY		1
10	7456862	BOX BATTERY		1
11	7454709.46	MOUNT BATTERY		1
12	7454710.46	COVER BATTERY		1
13	4169459	CONTROL CLUTCH		1
14	64152-46	SCREW HEX HEAD		2
15	64025-15	NUT HEX		2
16	7528858	SOLENOID STARTER, does not include hardware - was 38665, A		1
17	46994726	BOLT TDFM 1/4 20X1/2, Was 64197-030, A		2

Title: Upper Harness

Model Number: WB700

Serial Number: 9990702EU11001 & Above, B67D11001 & Above



Title: Upper Harness

Model Number: WB700

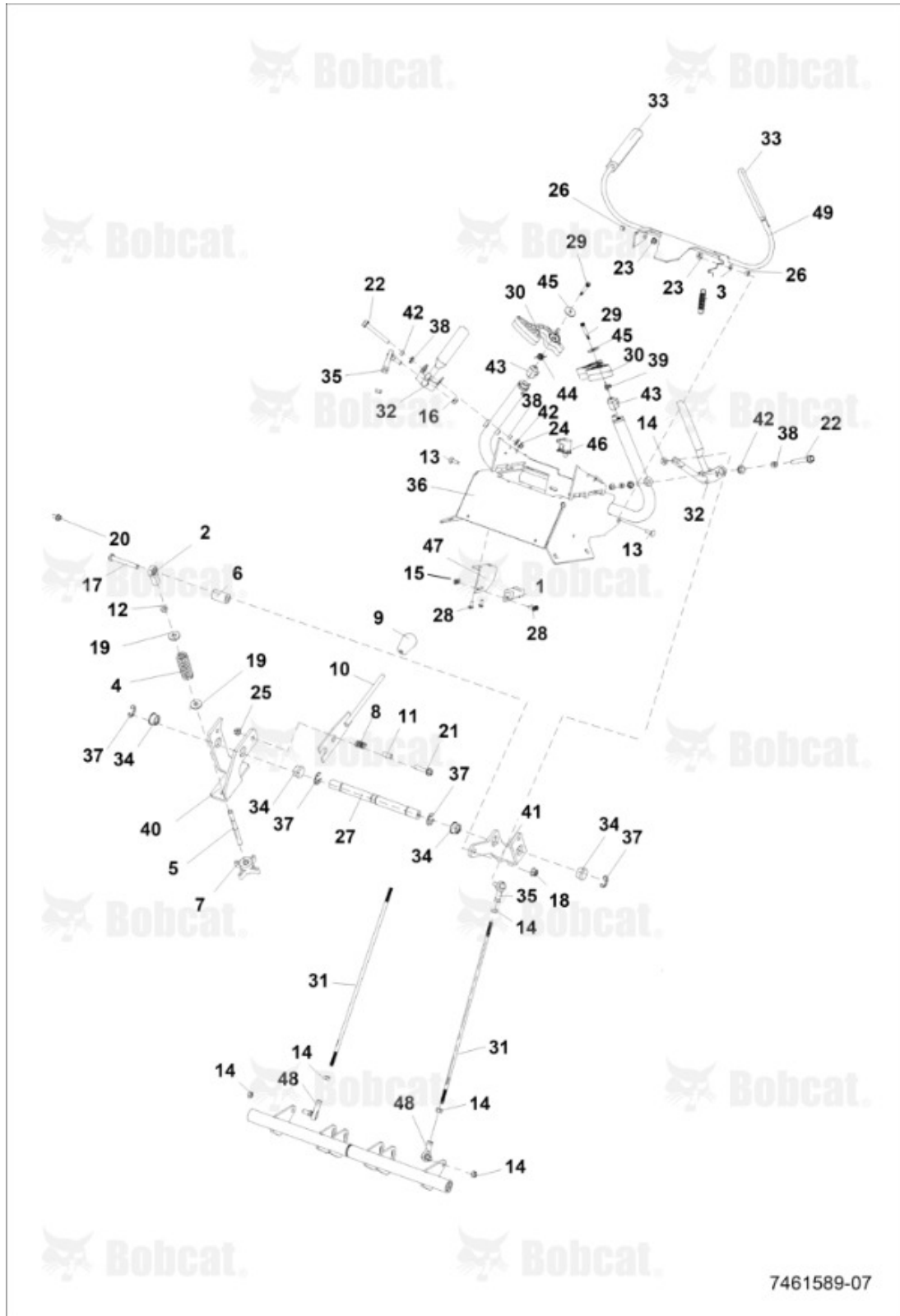
Serial Number: 9990702EU11001 & Above, B67D11001 & Above

Ref #	Part #	Description	S/N	Qty
1	7450723	SWITCH MOMENTARY		1
2	108208	SWITCH DOUBLE POLE NC/NO		2
3	128010	SWITCH IGNITION, kit - includes switch, nut & key		1
3	128010-01	NUT HEX		x
3	128010-03	KEY IGNITION		x
4	4177930	HOURMETER		1
5	2721505	SWITCH PTO		1
6	148082-10	FUSE 10 AMP		1
7	7449430	HARNESS ASSEMBLY		1

Title: Upper Controls

Model Number: WB700

Serial Number: 9990702EU11001 & Above, B67D11001 & Above



Title: Upper Controls

Model Number: WB700

Serial Number: 9990702EU11001 & Above, B67D11001 & Above

Ref #	Part #	Description	S/N	Qty
1	108208	SWITCH DOUBLE POLE NC/NO		1
2	138011	BALL JOINT		1
3	2308065	SPRING EXTENSION		1
4	2720312	PLATE SPRING		1
5	2721854	STUD FITTING		1
6	33030-4A	BUSHING IDLER		1
7	38524	KNOB 4 PRONG		1
8	41-053	SPRING COMPRESSION		1
9	4168180	KNOB PUSH ON		1
10	7448867	HANDLE BRAKE		1
11	516544	BUSHING PLATED		1
12	64001-2	NUT HEX		1
13	37C412	BOLT, Was PN 64018-2, A		2
14	62D5	NUT HEX, Was Pn 64025-03, A		8
15	64025-15	NUT HEX		2
16	64025-33	NUT HEX		2
17	1C644	CANOPY BOLT 4, Was PN 64123-88, A		1
18	99D6	NUT HEX FLANGED, Was PN 64141-4, A		1
19	64163-31	WASHER FLAT		2
20	35C408	BOLT, Was PN 64262-001, A		2
21	35C628	BOLT, Was PN 64262-018, A		1
22	64262-024	BOLT FLANGE		2
23	11D4	NUT LOCK HEX NYLON, Was PN 64268-01, A		2
24	11D5	NUT LOCK HEX NYLON, Was 64268-02, A		2
25	11D6	NUT LOCK HEX NYLON, Was PN 64268-03, A		1

Title: Upper Controls

Model Number: WB700

Serial Number: 9990702EU11001 & Above, B67D11001 & Above

Ref #	Part #	Description	S/N	Qty
26	7435061	SPACER ROUND		2
27	7444798	SHAFT CONTROL		1
28	64152-46	SCREW HEX HEAD		4
29	7453269	SCREW SHOULDER		2
30	7444802	LATCH ASSEMBLY, use W/ 7448856.41 or 7448856.45		2
30	46894101	LATCH NEUTRAL, use W/46894229.41 or 46894229.45 - Was 7444802, A		2
31	7444806	ROD CONTROL		2
32	7448861	ARM STEERING		2
33	7465721	GRIP LEVER		2
34	7455425	BUSHING		4
35	4167343-01	ROD END		2
36	7448856.41	HANDLE W/A, orange - use W/ 7444802		1
36	7448856.45	HANDLE W/A, white - use W/ 7444802		1
36	46894229.41	HANDLE WELDMENT HYDRO, orange - use W/ 46894101 - Was 7448856.41, A		1
36	46894229.45	HANDLE WELDMENT HYDRO, white - use W/ 46894101 - Was 7448856.45, A		1
37	7455426	E-RING		4
38	7458927	SPACER BUSHING		4
39	7452983	SPRING TORSION		1
40	7486106.46	ARM CONTROL		1
41	7448866.46	ARM CONTROL		1
42	830165	BUSHING		4
43		LOCK ASSEMBLY, LOCK ASSEMBLY, NSS - Order Ref 36 (7448856.41 or 7448856.45)		2

Title: Upper Controls

Model Number: WB700

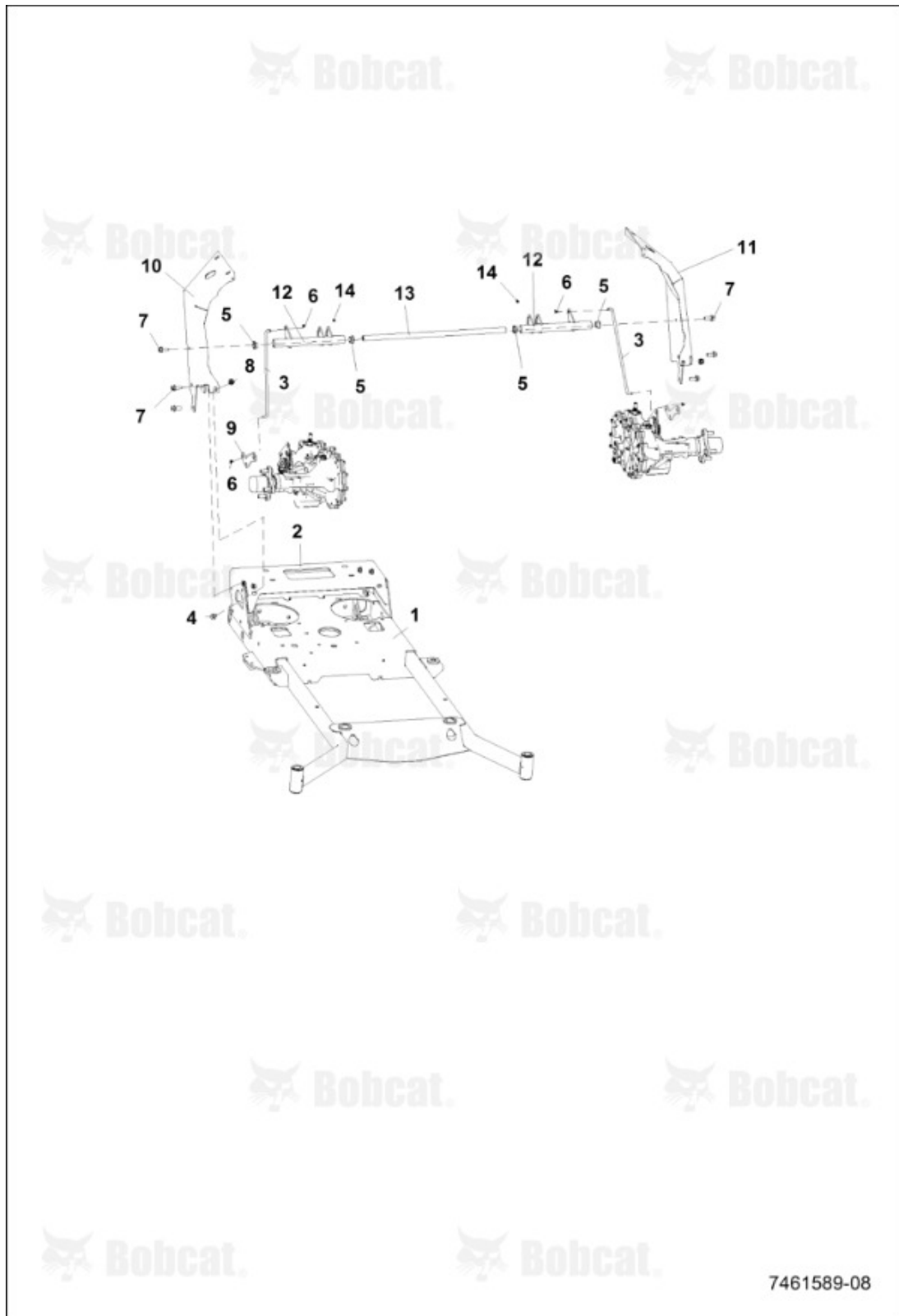
Serial Number: 9990702EU11001 & Above, B67D11001 & Above

Ref #	Part #	Description	S/N	Qty
43		PIVOT LOCK NEUTRAL, PIVOT LOCK NEUTRAL, NSS - Order Ref 36 (46894229.41 or 46894229.45)		2
44	7452972	SPRING TORSION		1
45	7453270	WASHER FRICTION		2
46	7450723	SWITCH MOMENTARY		1
47	7486105.46	PLATE SWITCH		1
48	4167343-02	ROD END		2
49	7448863.46	OPERATOR W/A		1

Title: Lower Controls

Model Number: WB700

Serial Number: 9990702EU11001 & Above, B67D11001 & Above



Title: Lower Controls

Model Number: WB700

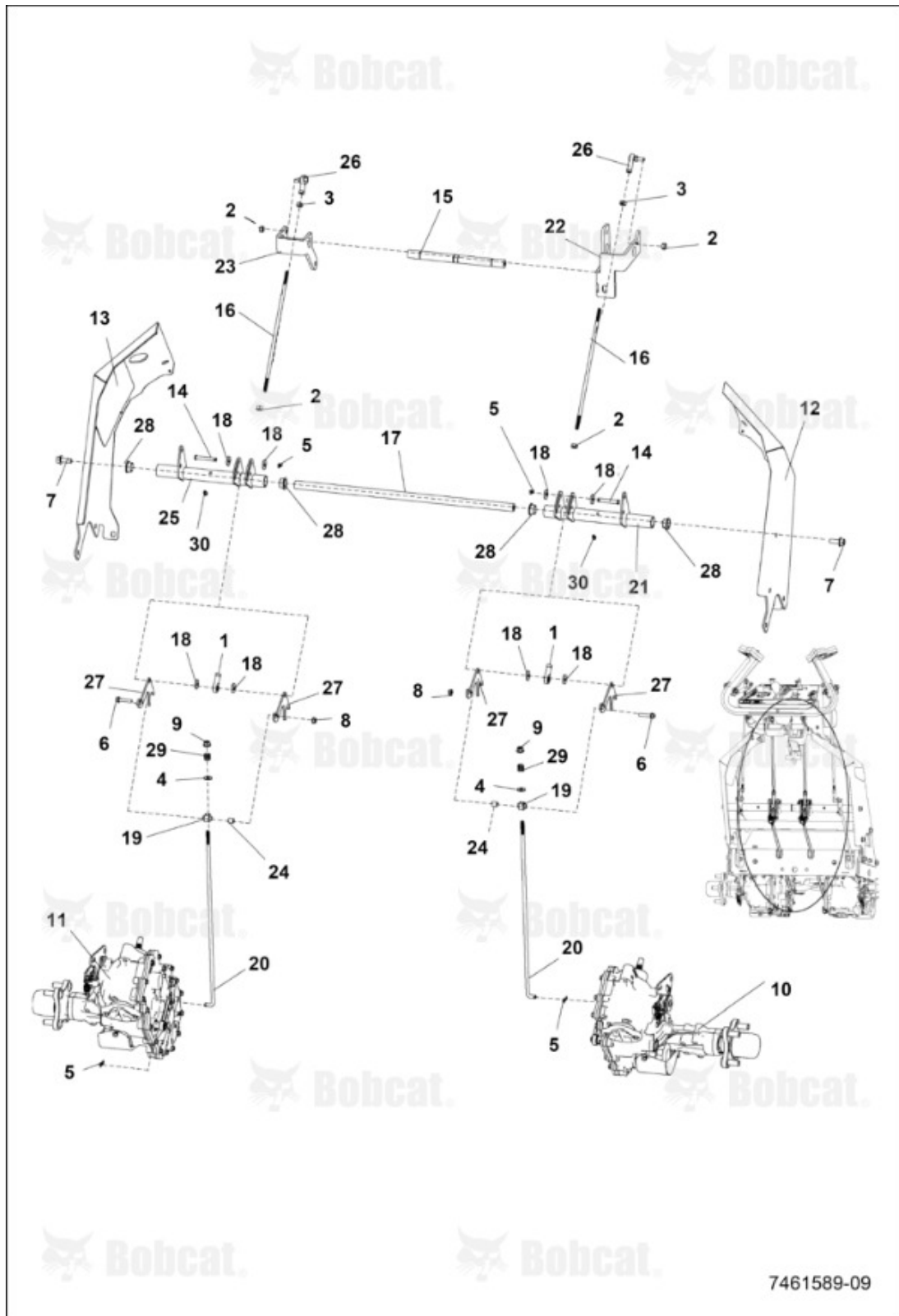
Serial Number: 9990702EU11001 & Above, B67D11001 & Above

Ref #	Part #	Description	S/N	Qty
1	7453882	FRAME 36 IN W/ LABELS		1
1	7453883	FRAME ASSEMBLY		1
2	7448638.45	FRAME TANK		1
3	7452954	ROD CONTROL		2
4	37C616	BOLT, Was PN 64018-3, A		2
5	7450327	BEARING MOUNT		4
6	7508483	PIN COTTER, Was 64168-2, A		6
7	35C616	SCREW FLANGED HEAD CAP, Was PN 64262-011, A		6
8	11D6	NUT LOCK HEX NYLON, Was PN 64268-03, A		6
9	7449846.46	PLATE CONTROL		2
10	7454997.45	SUPPORT W/A		1
11	7454998.45	SUPPORT W/A		1
12	7448932.46	CONTROL WELDMENT		2
13	7444811	TUBE PIVOT		1
14	85010N	ZERK FITTING		2

Title: Parking Brake

Model Number: WB700

Serial Number: 9990702EU11001 & Above, B67D11001 & Above



7461589-09

Title: Parking Brake

Model Number: WB700

Serial Number: 9990702EU11001 & Above, B67D11001 & Above

Ref #	Part #	Description	S/N	Qty
1	4143595-01	ROD END		2
2	62D5	NUT HEX, Was Pn 64025-03, A		4
3	64025-33	NUT HEX		2
4	64163-55	WASHER FLAT		2
5	7508483	PIN COTTER, Was 64168-2, A		4
6	64262-004	BOLT FLANGE		2
7	35C616	SCREW FLANGED HEAD CAP, Was PN 64262-011, A		2
8	11D4	NUT LOCK HEX NYLON, Was PN 64268-01, A		2
9	11D5	NUT LOCK HEX NYLON, Was 64268-02, A		2
10	7443844	TRANSAXLE RH		1
11	7443845	TRANSAXLE LH		1
12	7454997.45	SUPPORT W/A		1
13	7454998.45	SUPPORT W/A		1
14	7444650	PIN CLEVIS		2
15	7444798	SHAFT CONTROL		1
16	7444805	ROD CONTROL		2
17	7444811	TUBE PIVOT		1
18	7444817	WASHER PLASTIC		8
19	7444818	ROD BRAKE		2
20	7444820	ROD BRAKE		2
21	7448932.46	CONTROL WELDMENT		2
22	7486106.46	ARM CONTROL, Was 7448865.46, A		1
23	7448866.46	ARM CONTROL		1
24	7448924	SPACER TUBE		2
25	7454805.46	CONTROL WELDMENT		1

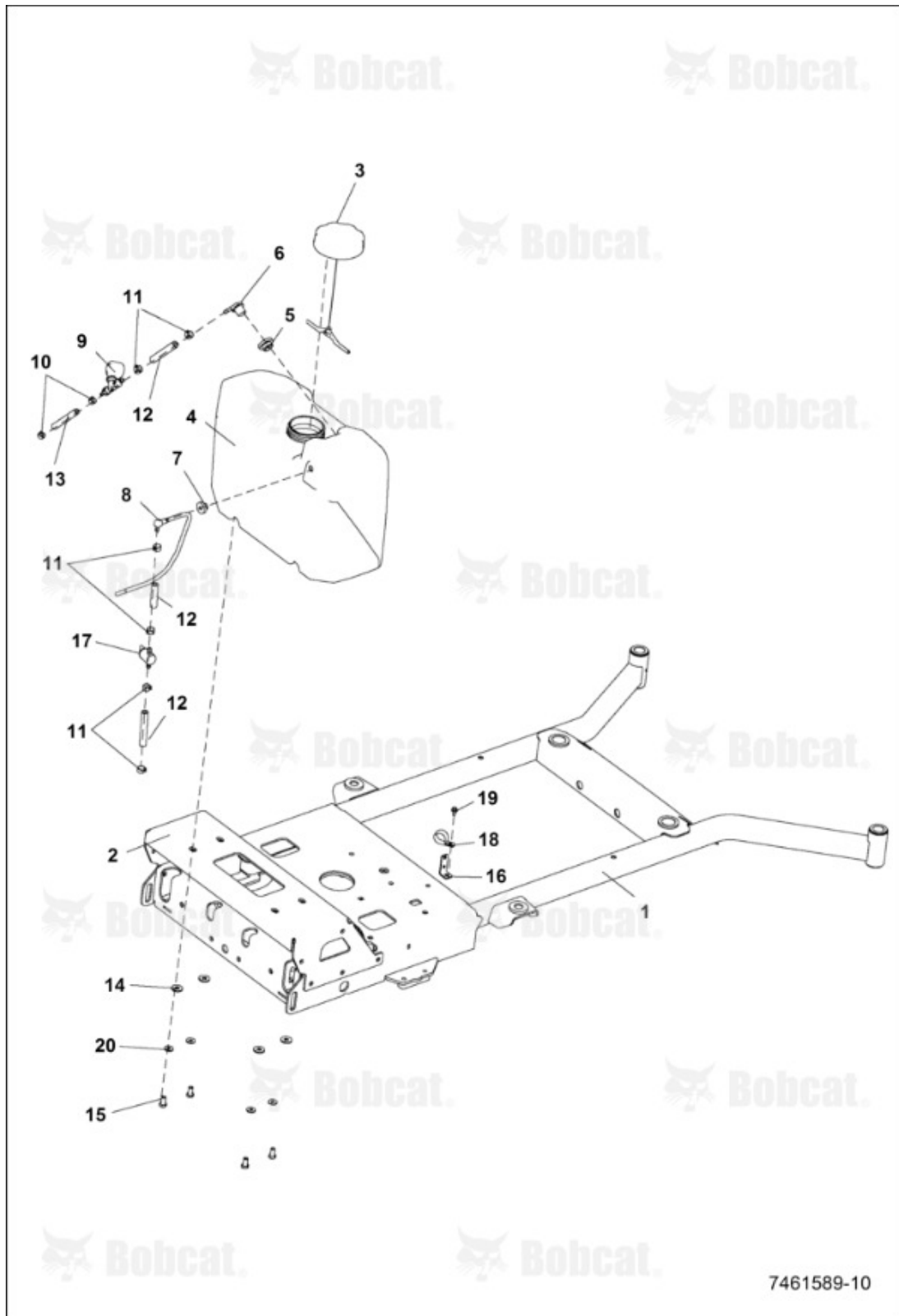
Title: Parking Brake

Model Number: WB700

Serial Number: 9990702EU11001 & Above, B67D11001 & Above

Ref #	Part #	Description	S/N	Qty
26	4167343-02	ROD END		2
27	7449851.46	LINK ASSEMBLY		4
28	7450327	BEARING MOUNT		4
29	41-039	SPRING COMPRESSION		2
30	85010N	ZERK FITTING		2

Title: Fuel Tank
Model Number: WB700
Serial Number: 9990702EU11001 & Above, B67D11001 & Above



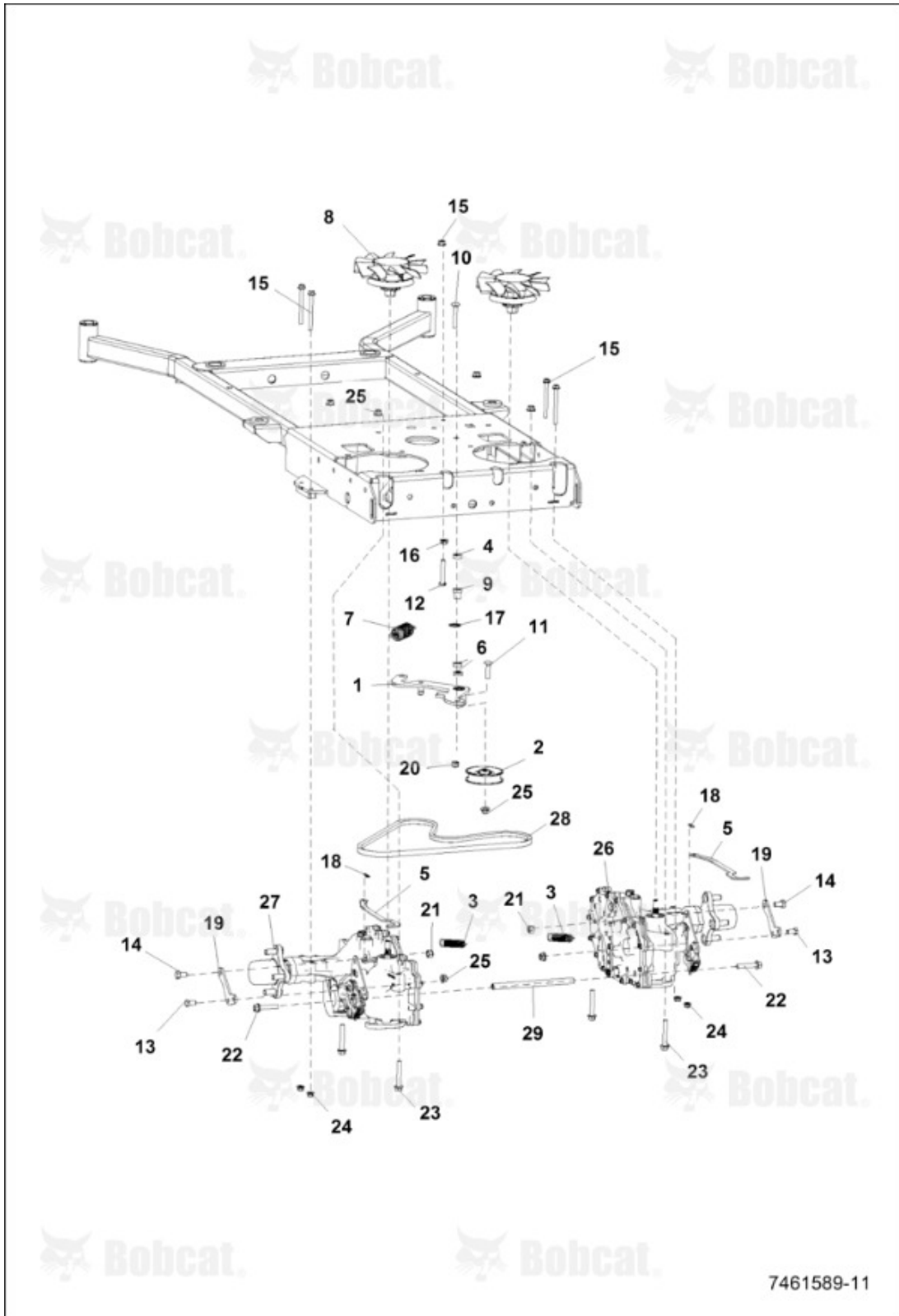
Title: Fuel Tank

Model Number: WB700

Serial Number: 9990702EU11001 & Above, B67D11001 & Above

Ref #	Part #	Description	S/N	Qty
1	7453883	FRAME ASSEMBLY		1
1	7453882	FRAME 36 IN W/ LABELS		1
2	7448638.45	FRAME TANK		1
3	4178085	CAP FUEL		1
4	4174266	TANK FUEL ASSEMBLY		1
5	4174343	GROMMET RUBBER		1
6	4165763	VENT AIR		1
7	4132325	GROMMET FUEL TANK		1
8	4165561-2	TUBE FUEL		1
9	4169746	TUBE VENT		1
10	7508591	CLAMP HOSE, was 88042-01, A		2
11	88042N	CLAMP HOSE		6
12	4162977-001	HOSE FUEL		1
13	4162989-006	HOSE FUEL		1
14	64163-31	WASHER FLAT		4
15	1C612	BOLT, Was PN 64123-15, A		4
16	7454022.46	BRACKET HOSE		1
17	4163016	VALVE FUEL		1
18	48228-12	CLAMP CLIP		1
19	46994726	BOLT TDFM 1/4 20X1/2, Was 64197-030, A		1
20	4E6	WASHER, Was PN 64006-03, A		4

Title: Transaxle
Model Number: WB700
Serial Number: 9990702EU11001 & Above, B67D11001 & Above



Title: Transaxle
 Model Number: WB700
 Serial Number: 9990702EU11001 & Above, B67D11001 & Above

Ref #	Part #	Description	S/N	Qty
1	7448825	IDLER ASSEMBLY		1
2	2228016	PULLEY IDLER		1
3	4117212	SPRING EXTENSION		2
4	4127999	SEAL RING		1
5	7448831.46	BRACKET VALVE		2
6	4128004	BEARING BALL		2
7	4169716	SPRING EXTENSION		1
8	4171150	KIT FAN PULLEY TRANSAXLE, was 7528554, A		2
9	4171399	PIN MOUNTING		1
10	37C636	BOLT, Was PN 64018-38, A		1
11	37C624	BOLT, Was PN 64018-49, A		1
12	1C636	SCREW HEX HEAD CAP, Was PN 64123-100, A		1
13	1C612	BOLT, Was PN 64123-15, A		2
14	1C712	SCREW HEX CAP, Was 64123-91, A		2
15	64139-30	BOLT HEX		4
16	99D6	NUT HEX FLANGED, Was PN 64141-4, A		2
17	64144-40	RING SNAP		1
18	7508483	PIN COTTER, Was 64168-2, A		2
19	7449846.46	PLATE CONTROL		2
20	59D6	NUT LOCK HEX NYLON, Was 64229-03 , A		1
21	59D7	NUT LOCK HEX NYLON, Was PN 64229-04, A		2
22	64262-014	BOLT FLANGE		2
23	35C640	BOLT 10, Was PN 64262-025, A		4
24	11D5	NUT LOCK HEX NYLON, Was 64268-02, A		4
25	11D6	NUT LOCK HEX NYLON, Was PN 64268-03, A		8

Title: Transaxle

Model Number: WB700

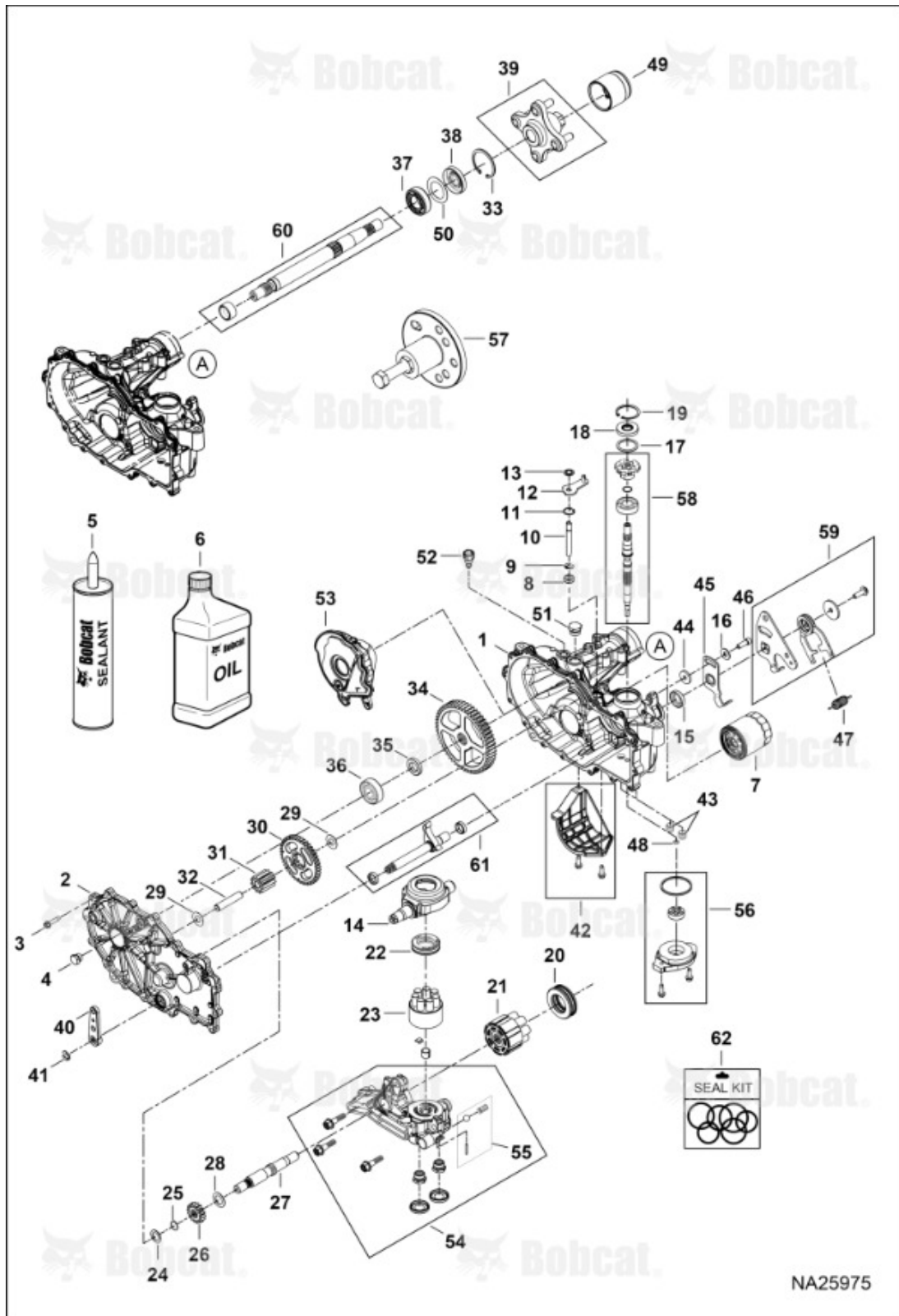
Serial Number: 9990702EU11001 & Above, B67D11001 & Above

Ref #	Part #	Description	S/N	Qty
26	7443844	TRANSAXLE RH		1
27	7443845	TRANSAXLE LH		1
28	7444060	BELT DRIVE		1
29	7444813	TRANSAXLE WELDMENT		1

Title: Transaxle Left

Model Number: WB700

Serial Number: 9990702EU11001 & Above, B67D11001 & Above



Title: Transaxle Left

Model Number: WB700

Serial Number: 9990702EU11001 & Above, B67D11001 & Above

Ref #	Part #	Description	S/N	Qty
1	7525871	KIT HOUSING, LH		1
2	7525208	KIT COVER, LH		1
3	7525210	SCREW HEX		16
4	7525209	PLUG VENT		1
5	7504362	SEALANT GASKET LIQUID		1
6	7354881	OIL 15W40 QT 12, Transaxle fluid		X
6	7354882	OIL 15W40 GAL 6, Transaxle fluid		X
6	7354882PK	OIL 15W40 GAL 216		X
7	4142045-06	FILTER TRANSAXLE		1
8	7525211	SEAL LIP		1
9	7504367	RING RETAINING		1
10	7525212	ROD BYPASS		1
11	7504366	RING RETAINING		1
12	7525812	ARM BYPASS		1
13	7525214	RING RETAINING		1
14	7525215	SWASHPLATE		1
15	7525216	SEAL LIP		1
16	7504359	WASHER FLAT		1
17	7525217	WASHER FLAT		1
18	7525218	SEAL LIP		1
19	7525219	RING RETAINING		1
20	7525220	BEARING BALL		1
21	7525221	KIT CYLINDER BLOCK		1
22	7525222	BEARING BALL		1
23	4163316-03	KIT CYLINDER BLOCK		1

Title: Transaxle Left

Model Number: WB700

Serial Number: 9990702EU11001 & Above, B67D11001 & Above

Ref #	Part #	Description	S/N	Qty
24	7525223	WASHER FLAT		1
25	7504360	RING RETAINING		1
26	7525929	GEAR SHAFT		1
27	7525225	SHAFT MOTOR		1
28	7525226	WASHER FLAT		1
29	7525227	WASHER FLAT		2
30	7525873	GEAR MOTOR		1
31	7525229	GEAR SHAFT		1
32	7525230	PIN SHAFT		1
33	7525110	RING RETAINING		1
34	7525231	GEAR AXLE		1
35	7525232	SPACER ROUND		1
36	7525233	KIT BEARING		1
37	7504382	BEARING BALL		1
38	7525234	SEAL LIP		1
39	4177128	HUB ASSEMBLY		1
40	7525235	HANDLE ACTUATOR		1
41	4164862	CLIP RETAINING		1
42	7525236	KIT GUARD		1
43	7525143	O-RING		2
44	7504390	PLATE SPACER		1
45	7504373	ARM NEUTRAL, Left		1
46	7504365	SCREW SOCKET HEAD		1
47	7525888	SPRING EXTENSION		1
48	7525875	KIT SEAL		1

Title: Transaxle Left

Model Number: WB700

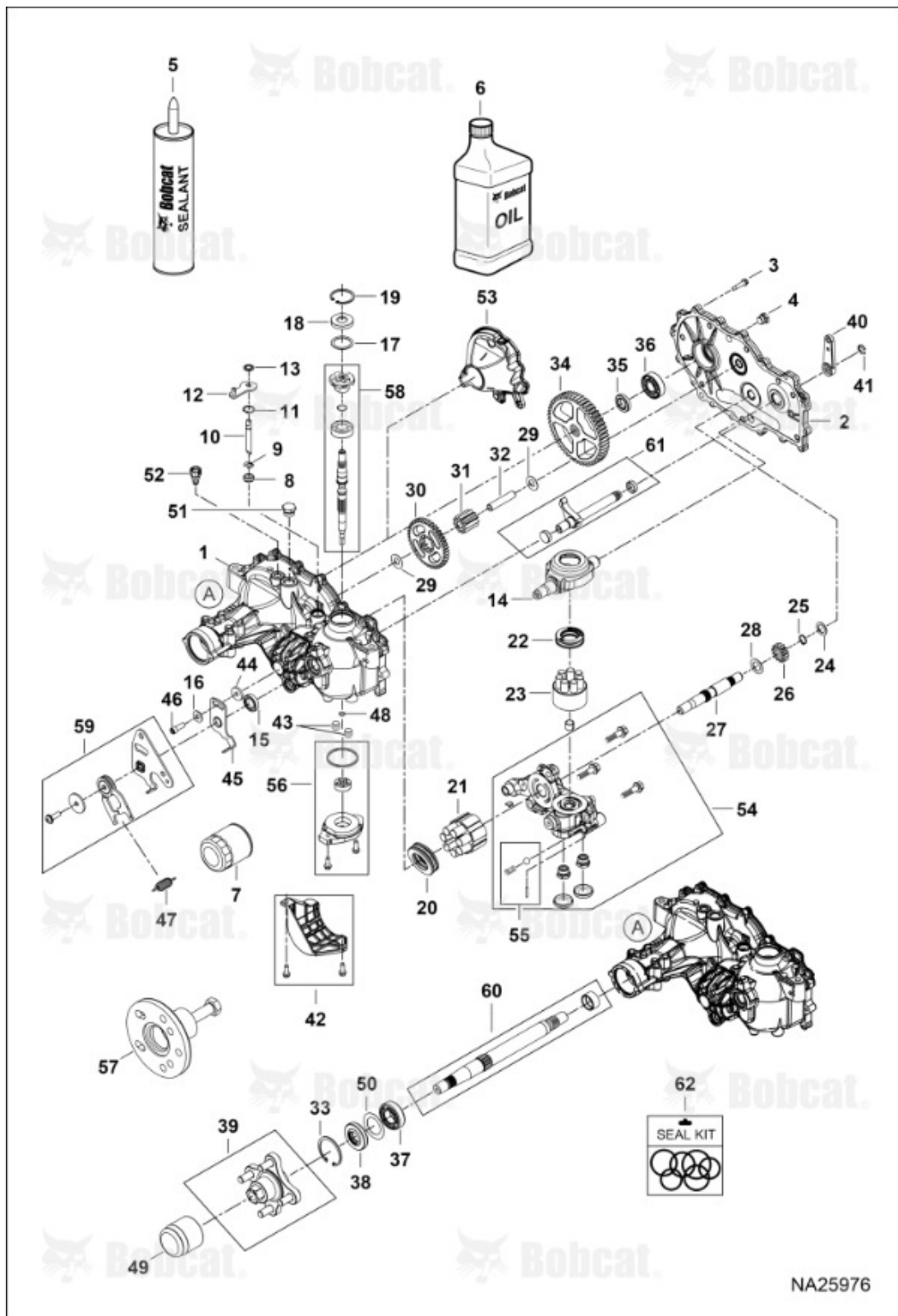
Serial Number: 9990702EU11001 & Above, B67D11001 & Above

Ref #	Part #	Description	S/N	Qty
49	7525237	CAP AXLE		1
50	7525238	SPACER ROUND		1
51	7525239	PLUG STEEL		1
52	7525807	BREATHER ASSEMBLY		1
53	7525808	TANK EXPANSION ASSEMBLY, LH		1
54	7525930	KIT SECTION, LH		1
55	7525876	KIT RELIEF		1
56	4164227	KIT PUMP CHARGE COVER		1
57	970438	KIT WHEEL HUB PULLER		1
58	7525877	KIT SHAFT		1
59	7525931	KIT ARM CONTROL		1
60	7525244	KIT SHAFT		1
61	7525245	KIT INBOARD		1
62	7525240	KIT SEAL, W/Ref. 8, 9, 11, 13, 15, 18, 19, 25, 41, 43, 48		1

Title: Transaxle Right

Model Number: WB700

Serial Number: 9990702EU11001 & Above, B67D11001 & Above



NA25976

Title: Transaxle Right

Model Number: WB700

Serial Number: 9990702EU11001 & Above, B67D11001 & Above

Ref #	Part #	Description	S/N	Qty
1	7525881	KIT HOUSING, RH		1
2	7525778	KIT COVER, RH		1
3	7525210	SCREW HEX		16
4	7525209	PLUG VENT		1
5	7504362	SEALANT GASKET LIQUID		1
6	7354881	OIL 15W40 QT 12, Transaxle fluid		X
6	7354882	OIL 15W40 GAL 6, Transaxle fluid		X
6	7354882PK	OIL 15W40 GAL 216		X
7	4142045-06	FILTER TRANSAXLE		1
8	7525211	SEAL LIP		1
9	7504367	RING RETAINING		1
10	7525212	ROD BYPASS		1
11	7504366	RING RETAINING		1
12	7525213	ARM BYPASS		1
13	7525214	RING RETAINING		1
14	7525215	SWASHPLATE		1
15	7525216	SEAL LIP		1
16	7504359	WASHER FLAT		1
17	7525217	WASHER FLAT		1
18	7525218	SEAL LIP		1
19	7525219	RING RETAINING		1
20	7525220	BEARING BALL		1
21	7525221	KIT CYLINDER BLOCK		1
22	7525222	BEARING BALL		1
23	4163316-03	KIT CYLINDER BLOCK		1

Title: Transaxle Right

Model Number: WB700

Serial Number: 9990702EU11001 & Above, B67D11001 & Above

Ref #	Part #	Description	S/N	Qty
24	7525223	WASHER FLAT		1
25	7504360	RING RETAINING		1
26	7525929	GEAR SHAFT		1
27	7525225	SHAFT MOTOR		1
28	7525226	WASHER FLAT		1
29	7525227	WASHER FLAT		2
30	7525873	GEAR MOTOR		1
31	7525229	GEAR SHAFT		1
32	7525230	PIN SHAFT		1
33	7525110	RING RETAINING		1
34	7525231	GEAR AXLE		1
35	7525232	SPACER ROUND		1
36	7525233	KIT BEARING		1
37	7504382	BEARING BALL		1
38	7525234	SEAL LIP		1
39	4177128	HUB ASSEMBLY		1
40	7525235	HANDLE ACTUATOR		1
41	4164862	CLIP RETAINING		1
42	7525779	KIT GUARD		1
43	7525143	O-RING		2
44	7504390	PLATE SPACER		1
45	7504419	ARM NEUTRAL, Right		1
46	7504365	SCREW SOCKET HEAD		1
47	7525888	SPRING EXTENSION		1
48	7525875	KIT SEAL		1

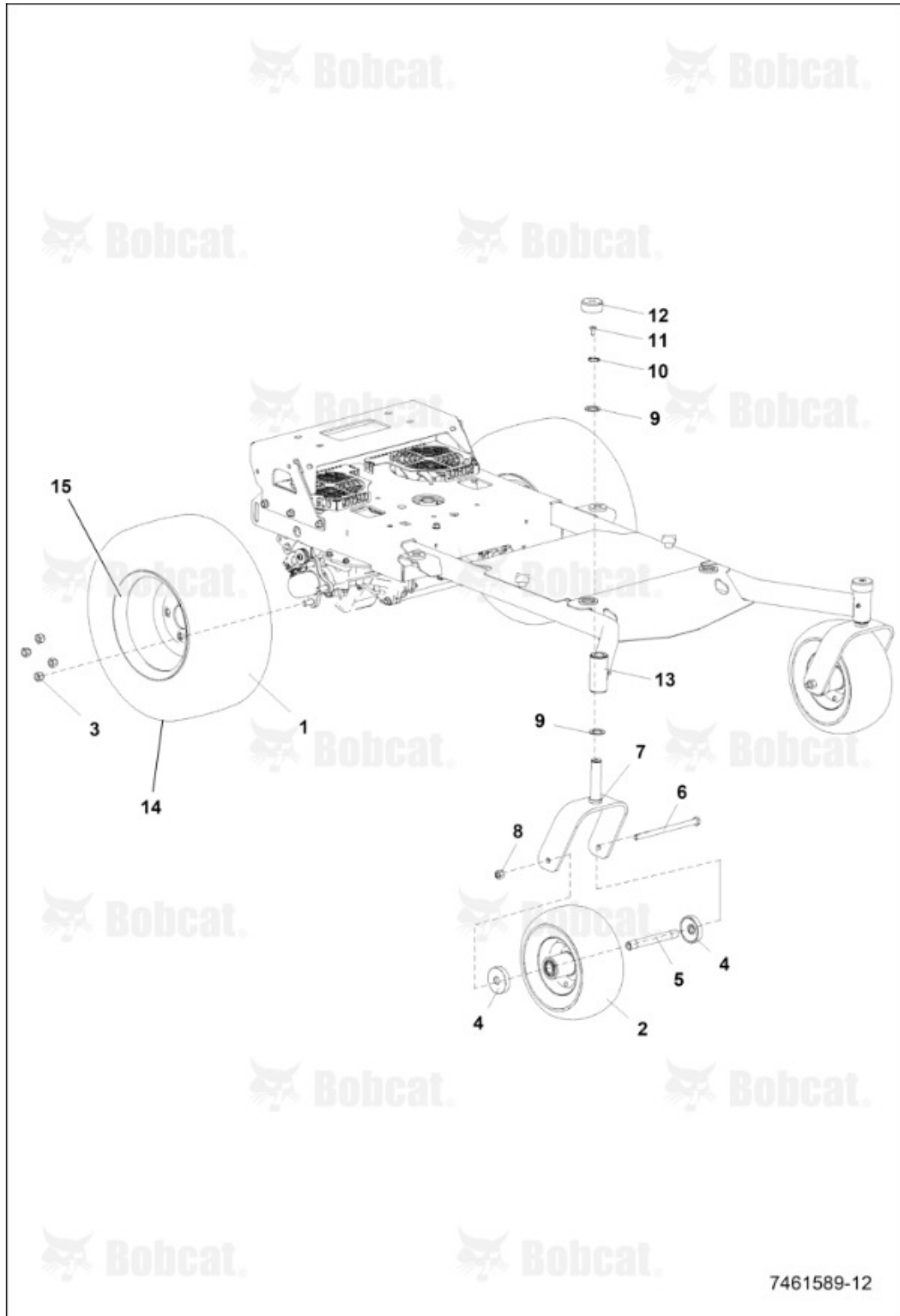
Title: Transaxle Right

Model Number: WB700

Serial Number: 9990702EU11001 & Above, B67D11001 & Above

Ref #	Part #	Description	S/N	Qty
49	7525237	CAP AXLE		1
50	7525238	SPACER ROUND		1
51	7525239	PLUG STEEL		1
52	7525807	BREATHER ASSEMBLY		1
53	7525813	TANK EXPANSION ASSEMBLY, RH		1
54	7525932	KIT SECTION, RH		1
55	7525876	KIT RELIEF		1
56	4164227	KIT PUMP CHARGE COVER		1
57	970438	KIT WHEEL HUB PULLER		1
58	7525877	KIT SHAFT		1
59		KIT ARM CONTROL, KIT ARM CONTROL		1
60	7525244	KIT SHAFT		1
61	7525780	KIT INBOARD, includes 7504421		1
61	7504421	SEAL PLUG		1
62	7525240	KIT SEAL, W/Ref. 8, 9, 11, 13, 15, 18, 19, 25, 41, 43, 48		1

Title: Wheels
Model Number: WB700
Serial Number: 9990702EU11001 & Above, B67D11001 & Above



7461589-12

Title: Wheels
 Model Number: WB700
 Serial Number: 9990702EU11001 & Above, B67D11001 & Above

Ref #	Part #	Description	S/N	Qty
1	4178443	WHEEL ASSEMBLY 20X8.00-10, NLA - W/ Ref. 14 (4172518-01) - do not use W/ 46895493, A		2
1	4179537	WHEEL ASSEMBLY 20X8.00-10, NLA - W/ Ref. 14 (4172518-01) - do not use W/ 46895493, A		2
1	4176240	WHEEL ASSEMBLY 20X8.00-10, NLA - W/ Ref. 14 (4142752-03) - do not use W/ 46895493, A		2
1	46895493	WHEEL ASSY 20 X 8.00-10 OTR ZERO-T II, W/Ref 14 & 15 - Was 4179537 - Used on 48/52, A		2
1	4179537-01	RIM 10 X 7 ORANGE, Used on 48/52		2
1	4172518-01	TIRE 20X8-10 OTR ZT, Used on 48/52		2
1	7444869	WHEEL AND TIRE ASSEMBLY, Used on 36		2
1	7444870	TIRE 20 X 6.5, Used on 36		2
1	7444871	WHEEL RIM, Used on 36		2
2	7444792	WHEEL AND TIRE ASSEMBLY		2
3	64187-03	NUT WHEEL		8
4	4178415	COVER DUST		4
5	7444733	SPANNER CASTER WHEEL		2
6	7453300	BOLT HEX		2
7	7444732.46	YOKE CASTER WELDMENT		2
8	59D8	NUT LOCK HEX NYLON, Was PN 64229-05, A		2
9	64163-64	WASHER FLAT		4
10	21J16	SNAP RING, Was PN 64144-24, A		2
11	64272-04	SCREW HEX		2
12	4171802	CAP CASTER ASSEMBLY		2
13	85010N	ZERK FITTING		2
14	4172518-01	TIRE 20X8-10 OTR ZT, A		2

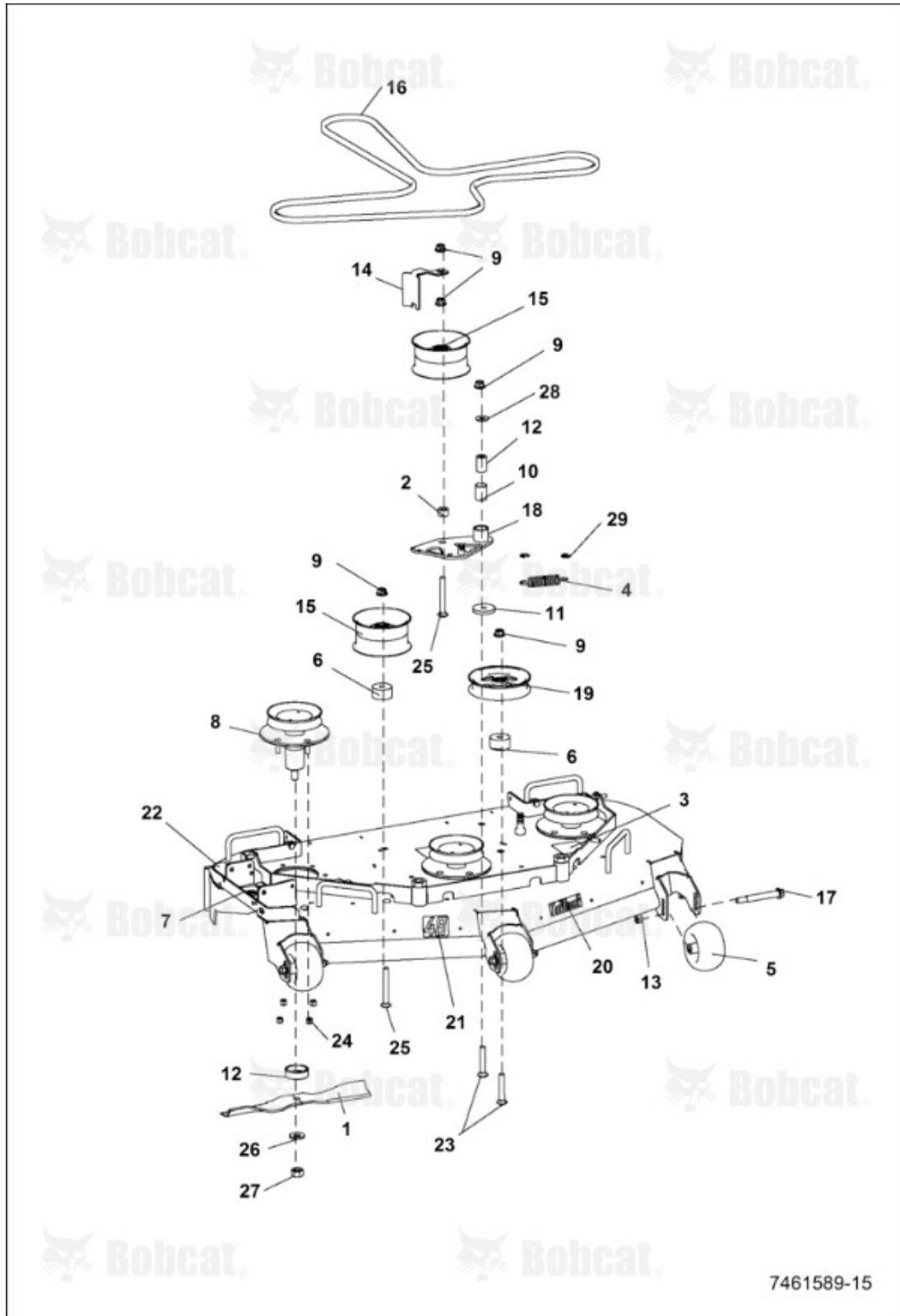
Title: Wheels

Model Number: WB700

Serial Number: 9990702EU11001 & Above, B67D11001 & Above

Ref #	Part #	Description	S/N	Qty
14	4142752-03	TIRE, A		2
14	46895495	TIRE 20 X 8.00-10 OTR ZERO-T II		2
15	46895494	RIM ORANGE 10.00 X 7.00		2

Title: Deck 48
Model Number: WB700
Serial Number: 9990702EU11001 & Above, B67D11001 & Above



Title: Deck 48

Model Number: WB700

Serial Number: 9990702EU11001 & Above, B67D11001 & Above

Ref #	Part #	Description	S/N	Qty
1	112243-01	BLADE 16.25 OFFSET HI-LIFT		3
2	113086	SPACER IDLER		1
3	2000577	DECAL WARNING		3
4	2308133	SPRING EXTENSION		1
5	2721512	ROLLER CENTERED		3
6	4152578-02	SPACER ROUND		2
7	4164269	DECAL WARNING		1
8	7443188	SPINDLE ASSEMBLY		3
9	11D8	NUT LOCK HEX NYLON, Was PN 64268-05, A		5
10	4166324-03	BEARING SLEEVE		1
11	4168173	SPACER IDLER		1
12	7460376	SPACER BLADE		3
13	59D8	NUT LOCK HEX NYLON, Was PN 64229-05, A		3
14	7448087.46	GUIDE BELT IDLER		1
15	4170088	PULLEY ASSEMBLY		2
16	7503243	BELT DECK 48 IN		1
17	4172885-1	BOLT ANTI-SCALP ROLLER		3
18	7448085.46	IDLER ASSEMBLY		1
19	4176836	PULLEY IDLER		1
20	4179348	DECAL TUFDECK		1
21	4179351	DECAL DECK SIZE		1
22	7453798	DECK MOWER		1
22	4178430	BRACKET FRONT, RH		1
22	4178431	BRACKET FRONT, LH		1
23	64018-11	BOLT CARRIAGE		2

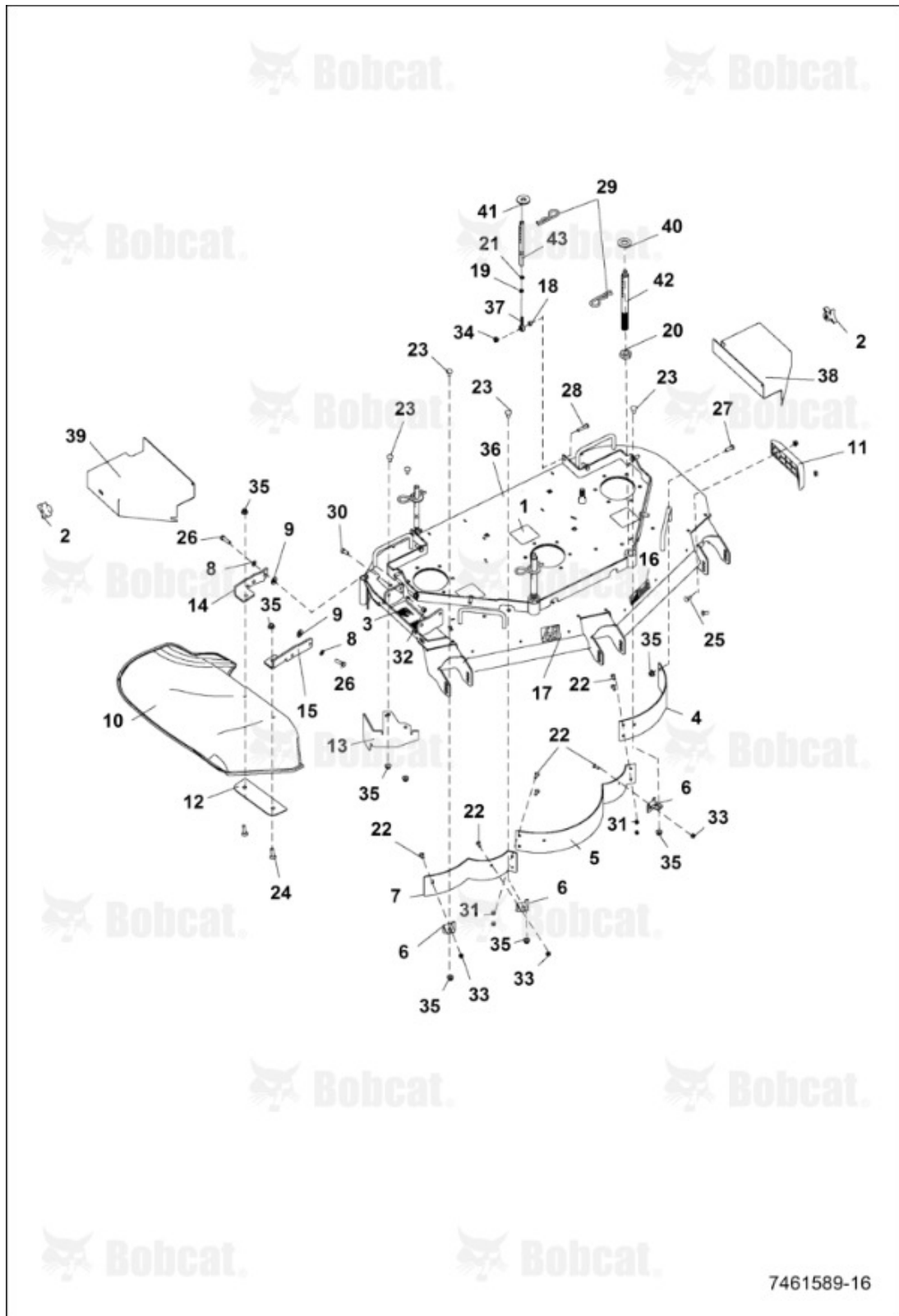
Title: Deck 48

Model Number: WB700

Serial Number: 9990702EU11001 & Above, B67D11001 & Above

Ref #	Part #	Description	S/N	Qty
24	59D6	NUT LOCK HEX NYLON, Was 64229-03 , A		12
25	37C864	BOLT HEAD SQUARE, Was PN 64018-21, A		2
26	64209-03	SPRING WASHER		3
27	64025-47	NUT HEX		3
28	64163-19	WASHER FLAT		1
29	64144-36	RING SNAP		2

Title: Deck Baffles 48
Model Number: WB700
Serial Number: 9990702EU11001 & Above, B67D11001 & Above



Title: Deck Baffles 48

Model Number: WB700

Serial Number: 9990702EU11001 & Above, B67D11001 & Above

Ref #	Part #	Description	S/N	Qty
1	2000577	DECAL WARNING		3
2	38524	KNOB 4 PRONG		2
3	4164269	DECAL WARNING		1
4	4165971.46	BAFFLE FRONT LH		1
5	4165972.46	BAFFLE FRONT CENTER		1
6	4168514.46	BRACKET MOUNTING		3
7	4168527.46	BAFFLE FRONT RH		1
8	4169871	WASHER CUPPED		2
9	4169895	WASHER FRICTION		2
10	4172328	CHUTE PLASTIC		1
11	4172339	PAD WEAR		1
12	4173063.46	PLATE CHUTE		1
13	4173420.46	BAFFLE DISCHARGE		1
14	4177410.46	BRACKET REAR		1
15	4177411.46	BRACKET FRONT		1
16	4179348	DECAL TUFDECK		1
17	4179351	DECAL DECK SIZE		1
18	515268	BUSHING		2
19	64001-11	NUT HEX		2
20	80D14	NUT HEX JAM GR 5, Was 64001-15		2
21	4E5	WASHER, Was PN 64006-02, A		2
22	37C412	BOLT, Was PN 64018-2, A		7
23	10C612	BOLT, Was PN 64018-23, A		5
24	37C624	BOLT, Was PN 64018-49, A		2
25	37C512	BOLT SQ NECK RND HD, Was PN 64018-9, A		2

Title: Deck Baffles 48

Model Number: WB700

Serial Number: 9990702EU11001 & Above, B67D11001 & Above

Ref #	Part #	Description	S/N	Qty
26	1C620	SCREW HEX CAP, Was PN 64123-16, A		2
27	1C616	SCREW HEX HEAD CAP, Was PN 64123-50, A		1
28	64123-69	BOLT HEX		2
29	64168-6	PIN COTTER		4
30	73G612	CAPSCREW, Was PN 64189-28, A		1
31	59D4	NUT LOCK HEX NYLON, Was PN 64229-01, A		4
32	59D6	NUT LOCK HEX NYLON, Was 64229-03 , A		1
33	11D4	NUT LOCK HEX NYLON, Was PN 64268-01, A		3
34	11D5	NUT LOCK HEX NYLON, Was 64268-02, A		4
35	11D6	NUT LOCK HEX NYLON, Was PN 64268-03, A		10
36	7453798	DECK MOWER		1
36	4178430	BRACKET FRONT, RH		1
36	4178431	BRACKET FRONT, LH		1
37	7444816	JOINT BALL		2
38	7462248	COVER BELT 48 LH, Was 7448172.46, A		1
39	7462249	COVER BELT 48 RH, Was 7448173.46, A		1
40	7454760	WASHER HARD		2
41	7454761	WASHER HARD		2
42	7454988	SHAFT ASSEMBLY		2
43	7454989	SHAFT DECK LIFT		2

Title: Decals

Model Number: WB700

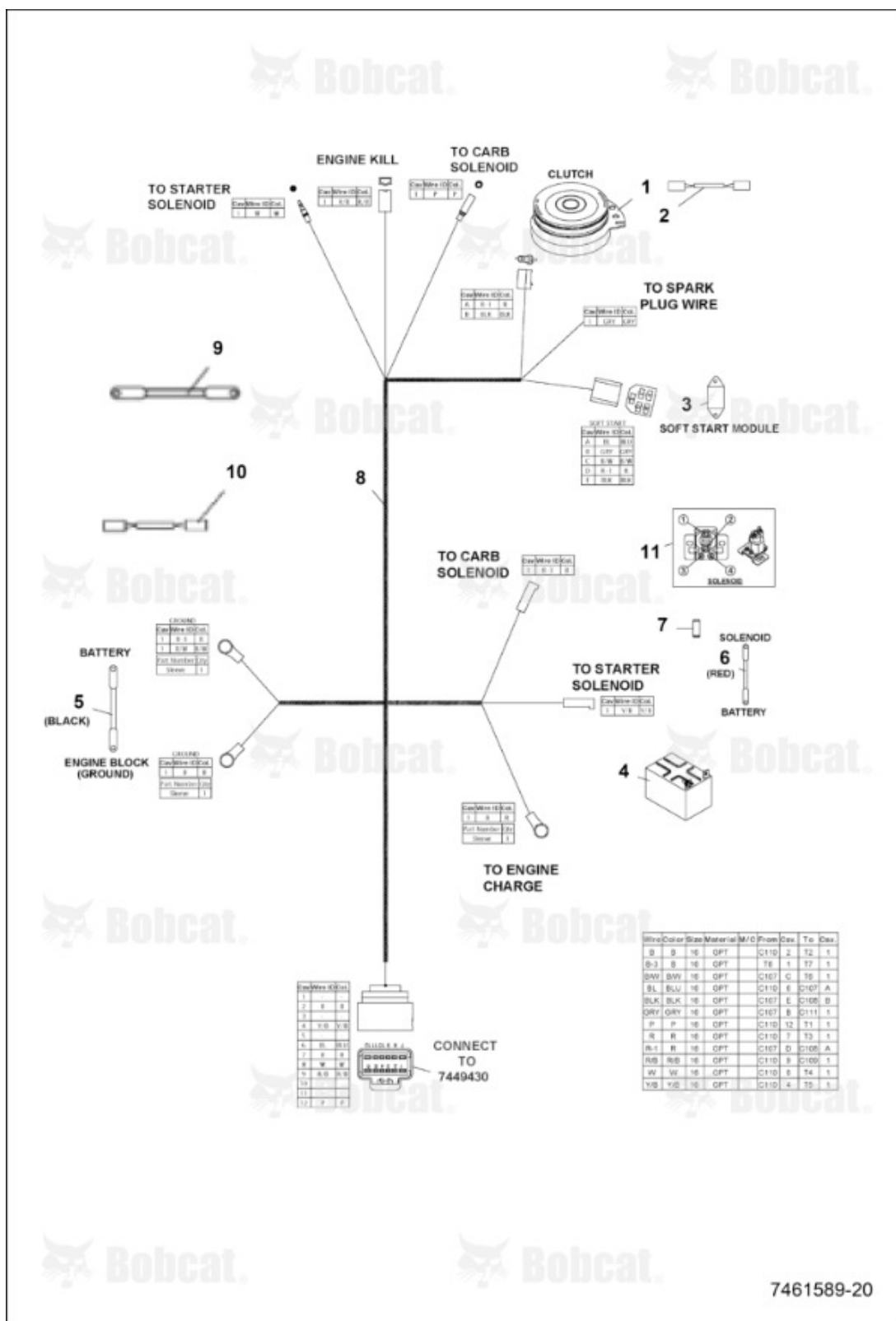
Serial Number: 9990702EU11001 & Above, B67D11001 & Above

Ref #	Part #	Description	S/N	Qty
1	7511905	DECAL WARNING		2
2	7511904	DECAL WARNING		3
3	7511906	DECAL BATTERY		1
4	340830	DECAL WARNING		1
5	7511907	DECAL MANUAL OPS PICTORIAL		1
6	4178637	DECAL BOBCAT		1
7	7447317	DECAL BOBCAT		1
8	7447319	DECAL BOBCAT		1
9	7448869	DECAL SIDE RH		1
10	7452752	DECAL CONTROL		1
11	7458325	DECAL SIDE LH		1
12	7528510	DECAL CUT HEIGHT		1
13	4179351	DECAL DECK SIZE, 48"		1
13	4179352	DECAL DECK SIZE		1
13	7445403	DECAL DECK SIZE		1
14	7511900	DECAL WARNING		1
15	2000572	DECAL WARNING		1
16	4176807	DECAL PROP 65		1
17	4179348	DECAL TUFDECK		1
18	7528509	DECAL PANEL DISPLAY		1
19	7524311	DECAL WARNING		1

Title: Lower Harness

Model Number: WB700

Serial Number: 9990702EU11001 & Above, B67D11001 & Above



Title: Lower Harness

Model Number: WB700

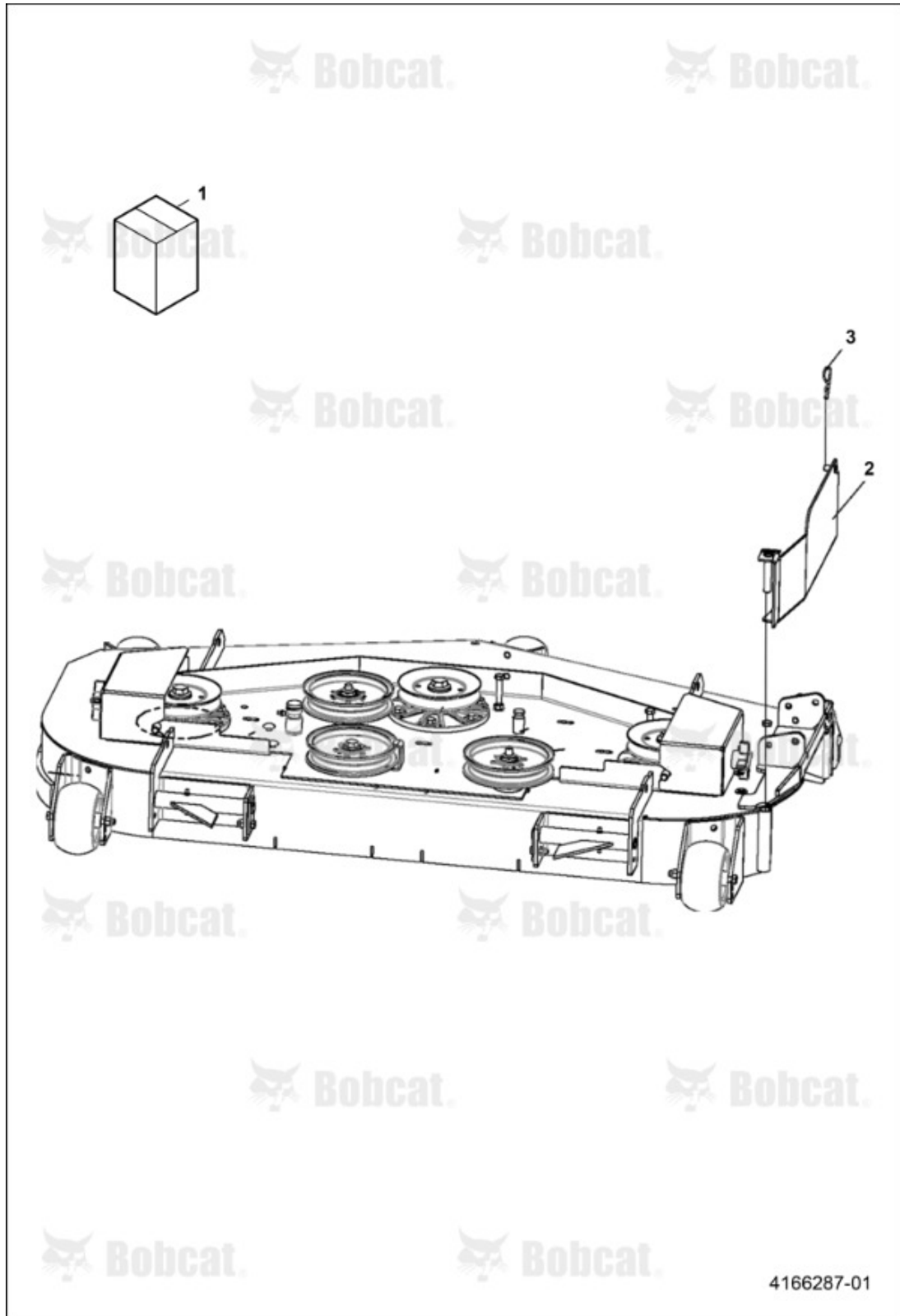
Serial Number: 9990702EU11001 & Above, B67D11001 & Above

Ref #	Part #	Description	S/N	Qty
1	7501225	CLUTCH ELECTRIC		1
2	2720949	WIRE CLUTCH		1
3	4169459	CONTROL CLUTCH		1
4	46979478	BATTERY 190CCA WITH DECAL, Was 4171099, A		1
5	7453213	CABLE BATTERY NEGATIVE		1
6	7456035	CABLE BATTERY POSITIVE		1
7	2308095	COVER TERMINAL		2
8	7449431	HARNESS ASSEMBLY		1
9	108061-04	CABLE BATTERY POSITIVE, Used on EMEA models.		1
10	4173211	HARNESS JUMPER		1
11	7528858	SOLENOID STARTER, does not include hardware - was 38665, A		1

Title: Eco Plate Kit (48")

Model Number: WB700

Serial Number: 9990702EU11001 & Above, B67D11001 & Above



Title: Eco Plate Kit (48")

Model Number: WB700

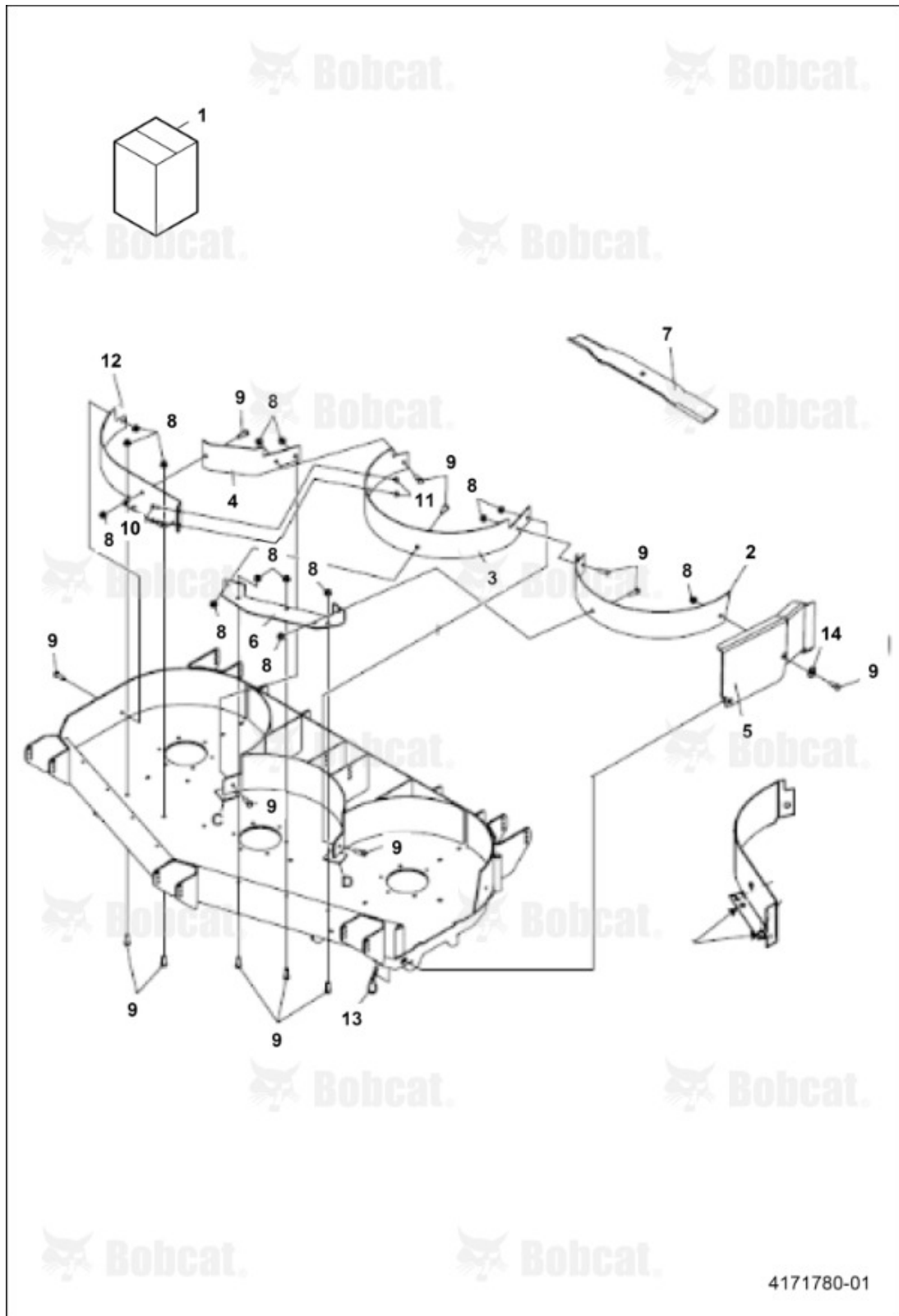
Serial Number: 9990702EU11001 & Above, B67D11001 & Above

Ref #	Part #	Description	S/N	Qty
1	970426	KIT ECO PLATE 48 IN, Ref. 2 & 3		1
2	4166852.7	PLATE ECO 48		1
3	64168-1	PIN COTTER		1

Title: Mulch Kit (48")

Model Number: WB700

Serial Number: 9990702EU11001 & Above, B67D11001 & Above



Title: Mulch Kit (48")

Model Number: WB700

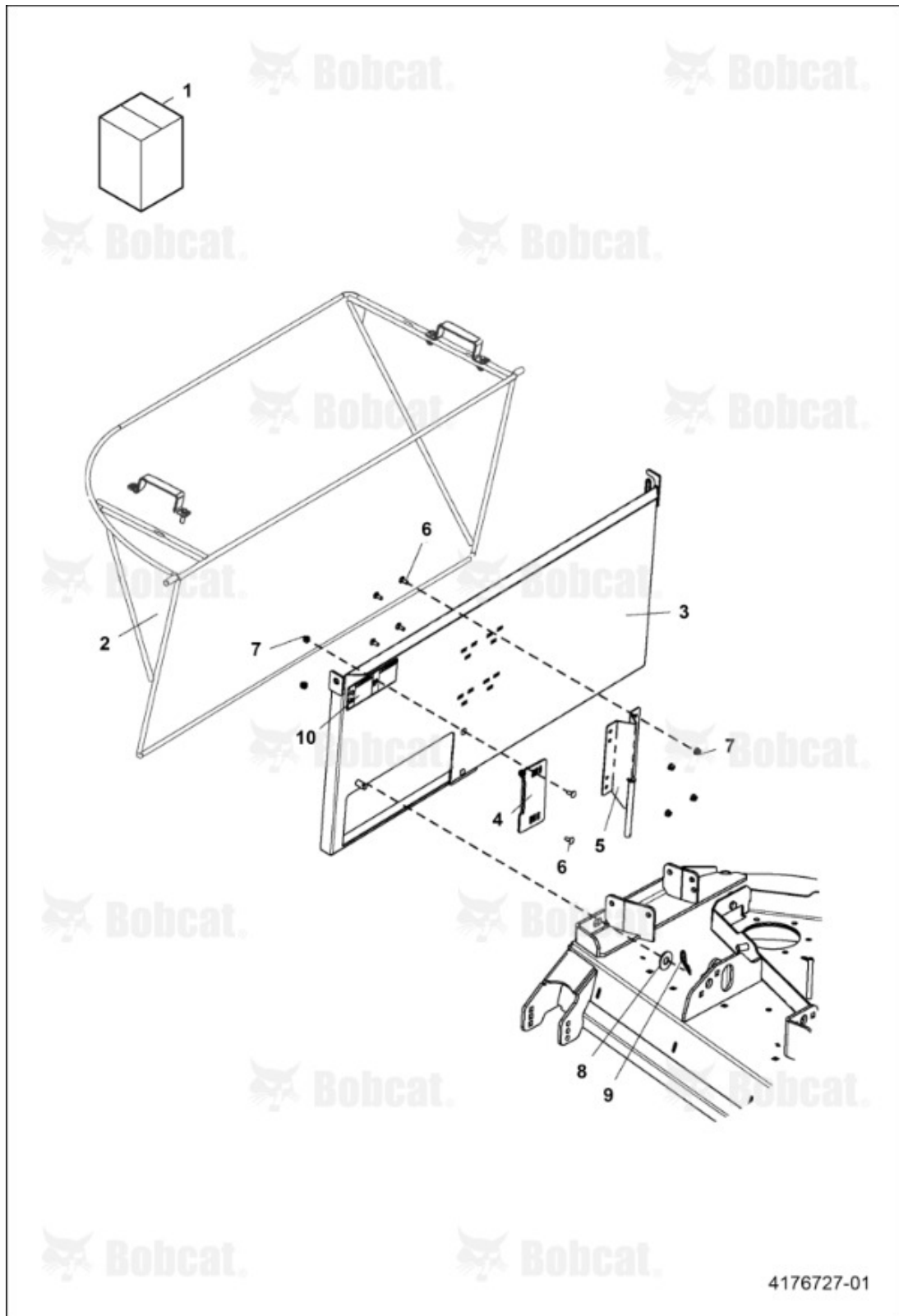
Serial Number: 9990702EU11001 & Above, B67D11001 & Above

Ref #	Part #	Description	S/N	Qty
1	970533	KIT MULCH 48 IN G-SERIES, Ref. 2-14		1
2	4114256.7	BAFFLE MULCH RH		1
3	4114254.7	BAFFLE MULCH CENTER		1
4	4114147.7	BAFFLE MULCH LH		1
5	4166963.7	PLATE MULCH		1
6	4177034.7	BRACKET MOUNTING		1
7	2722543-01	BLADE 16.25 ELIMINATOR		3
8	11D6	NUT LOCK HEX NYLON, Was PN 64268-03, A		14
9	1C616	SCREW HEX HEAD CAP, Was PN 64123-50, A		14
10	37C412	BOLT, Was PN 64018-2, A		2
11	59D4	NUT LOCK HEX NYLON, Was PN 64229-01, A		2
12	4177031.7	BAFFLE FRONT LH		1
13	64168-1	PIN COTTER		1
14	64163-31	WASHER FLAT		1

Title: Bag Kit (Poly)

Model Number: WB700

Serial Number: 9990702EU11001 & Above, B67D11001 & Above



Title: Bag Kit (Poly)

Model Number: WB700

Serial Number: 9990702EU11001 & Above, B67D11001 & Above

Ref #	Part #	Description	S/N	Qty
1	970590	MI BAGGER POLY 5 BUSHEL, 5 bushel - Ref. 2-10		1
1	970591	MI BAGGER POLY 3.75 BUSHEL, 3.75 bushel - Ref. 2-10		1
2	4176812	BAG CATCHER, 5 bushel		1
2	4176811	BAG CATCHER, 3.75 bushel		1
2	4135876	BAG CATCHER, 3.75 bushel - bag only		1
3	4176729	BRACKET MOUNTING, 5 bushel		1
3	4176728	BRACKET MOUNTING, 3.75 bushel		1
4	4176711.7	BRACKET DISCHARGE		1
5	4176716.7	WELDMENT BAG MOUNT		1
6	7508182	BOLT CARRIAGE, Was PN 64018-41, A		6
7	11D4	NUT LOCK HEX NYLON, Was PN 64268-01, A		6
8	64163-98	WASHER FLAT		1
9	64168-7	PIN COTTER		1
10	4164269	DECAL WARNING		1

Title: Bag Collection (Aluminum)(Option)

Model Number: WB700

Serial Number: 9990702EU11001 & Above, B67D11001 & Above

Ref #	Part #	Description	S/N	Qty
1	46903591	BAG COLLECTION ALUMINUM STANDARD, 3.32 bushel		1
1	46903592	BAG COLLECTION ALUMINUM JUMBO, 5 bushel		1